





### Product Liability

The supplier's product liability is only valid if no alterations, additions etc. have been made to the equipment without the supplier's express permission.  
Use only genuine parts.



### Produkthaftung

*Damit die Produkthaftung des Lieferanten ihre Gültigkeit behält, dürfen ohne ausdrückliche Genehmigung des Lieferanten keine Änderungen, Ergänzungen o. Ä. an der Ausrüstung vorgenommen werden. Verwenden Sie nur Originalteile.*



### Produktansvar

För att en leverantörs produktansvar skall gälla får ändringar, kompletteringar och liknande ej göras i utrustningen utan leverantörens godkännande. Originalreservdelar skall alltid användas.



### Ответственность поставщика

Для сохранения ответственности нельзя вводить в оборудование изменения, дополнения и т.п. без разрешения поставщика. Пользуйтесь только оригинальными запасными частями, выпущенным изготовителем бензоколонки.

### Caution

To prevent damage that might result in electric shock or fire, disconnect the main power prior to any work.

### Vorsicht

*Um Beschädigungen zu vermeiden, die zu einem elektrischen Schlag oder Feuer führen können, unterbrechen Sie vor jeder Arbeit die Stromzufuhr.*

### Varning

Gör pumpen/enheten strömlös innan Du gör ingrepp i den. I annat fall föreligger risk för skada.

### Осторожно

Во избежание поражения электрическим током или пожара отключайте напряжение питания перед началом любых работ.

The contents of this publication may not be copied either wholly or in part without the consent of Wayne.

Wayne reserves the right to change specifications contained in the text and illustrations without notice.

Der Inhalt dieses Handbuches darf ohne die Erlaubnis von Wayne weder ganz noch teilweise kopiert werden.

Wayne behält sich das Recht vor, textliche oder bildliche Inhalte ohne besondere Mitteilung zu ändern.

Innehållet i denna publikation får ej helt eller delvis kopieras utan medgivande från Wayne.

Wayne förbehåller sig rätten att utan särskilt meddelande ändra specifikationer givna i text och bild.

Не разрешается копировать полностью или частично содержание настоящей публикации без разрешения фирмы Wayne.

Wayne оставляет за собой право вносить изменения в спецификации, содержащиеся в тексте и иллюстрациях, без предварительного уведомления.

WM029611 2012-03-28 Rev.02.11 (212-11-23 01738)

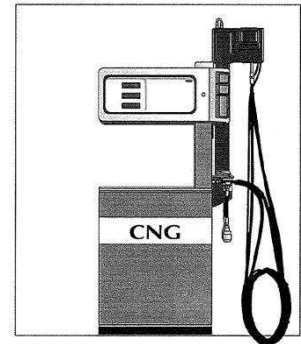
## 1. Product History

### 1.1 DPG

DPG was a CNG dispenser manufactured by Nuovo Pignone

Start production = 1987  
Stop production = 1998  
Computing head = WELMA  
Meter = RHEONIK

Spare parts manual: WT010020 (TLO27750)

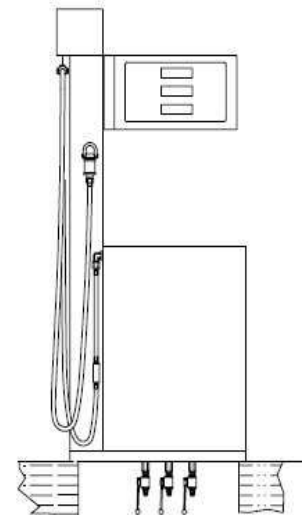


### 1.2 DPBA

DPBA was a CNG dispenser manufactured by Nuovo Pignone

Start production = 1999  
Stop production = 2002  
Computing head = OTP-EM  
Meter = RHEONIK

Spare parts manual: WT010021 (TLO27895)

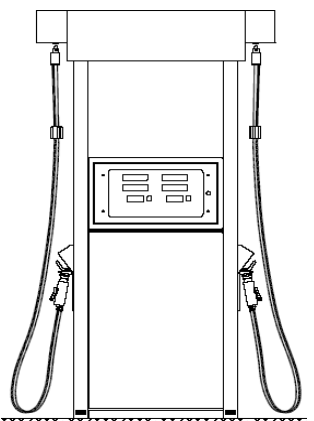


### 1.3 DPGH

DPGH was a CNG dispenser manufactured also by Dresser Wayne Pignone

Start production = 2002  
Stop production = 2008  
Computing head = OTP-EM / OTP-ELT  
Meter = MICROMOTION

Spare parts manual BUS Italy: WT010022  
Spare parts manual: WT010023 (TLO28353)  
Spare parts manual SWEDEN: WT010024 (TLO26727)



### 1.4 DPX-A

DPX-A was a CNG dispenser manufactured also by Dresser Wayne Pignone

Start production = 2004  
Stop production = 2007  
Computing head = OTP-EM / OTP-ELT  
Meter = MICROMOTION

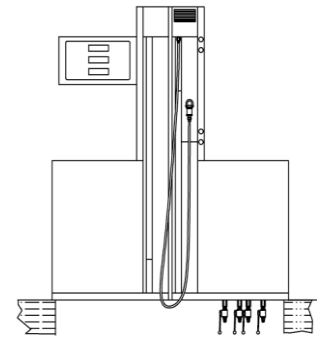
Spare parts manual CHINA version n.1: WT010025 (TLO28770)  
Spare parts manual CHINA version n.2: WT010026 (TLO29109)  
Spare parts manual INDIA single: WT010027 (TLO29453)  
Spare parts manual INDIA double: WT010028 (TLO29656)

## 1.5 DPX-F

DPX-F was a CNG dispenser manufactured by Dresser Wayne Pignone

Start production = 2005  
Stop production = 2005  
Computing head = OTP-EM  
Meter = MICROMOTION

Spare parts manual GERMANY: WT010029 (TL028692)



## 1.6 587

587 was a CNG dispenser manufactured by Dresser Wayne Pignone

Start production = 2005  
Stop production = 2011  
Computing head = OTP-ELT (Ex-d junction box)  
Meter = MICROMOTION

Spare parts manual GERMANY: WT010030 (TLO29245)



## 1.7 Global Vista 34"

GV 34" is the first global CNG "H style" dispenser

Start production = 2006  
Stop production = actual  
Computing head = OTP-ELT (Ex-d junction box)  
Meter = MICROMOTION

Spare parts manual INDIA: WT010031



## 1.8 Global Vista 48"

GV 48" was a CNG dispenser manufactured only for Germany

Start production = 2006  
Stop production = 2010  
Computing head = OTP-ELT (Ex-d junction box)  
Meter = MICROMOTION

Spare parts manual GERMANY: WT010033 (TLO29248)



## 1.9 GS phase IV

GS IV was the first global CNG “C style” dispenser

Start production = 2007

Stop production = 2011

Computing head = OTP-ELT (Ex-d junction box)

Meter = MICROMOTION

Spare parts manual: WT010035



## 1.10 GS V B2B

GS V B2B is the first global CNG “C style” multidispenser

Start production = 2009

Stop production = actual

Computing head = OTP-ELT open frame

Meter = ENDRESS+HAUSER

Spare parts manual: TBD



## 1.11 GS phase V

This manual contains the spare parts for GS V CNG dispenser

Start production = 2010

Stop production = actual

Computing head = OTP-ELT (Ex-d junction box)

Meter = ENDRESS+HAUSER

Spare parts manual: WT010018 (this document)



## 25 YEARS OF CNG DISPENSER PRODUCTION

YEAR	DPG	DPBA	DPGH	DPX-A	DPX-F	587	GV 34"	GV 48"	GS IV	GS MPD	GS V	
1987	DPG											Nuovo Pignone
1988	DPG											Nuovo Pignone
1989	DPG											Nuovo Pignone
1990	DPG											Nuovo Pignone
1991	DPG											Nuovo Pignone
1992	DPG											Nuovo Pignone
1993	DPG											Nuovo Pignone
1994	DPG											GE Nuovo Pignone
1995	DPG											GE Nuovo Pignone
1996	DPG											GE Nuovo Pignone
1997	DPG											GE Nuovo Pignone
1998	DPG											GE Nuovo Pignone
1999		DPBA										GE Nuovo Pignone
2000		DPBA										GE Nuovo Pignone
2001		DPBA										GE Nuovo Pignone
2002		DPBA	DPGH									GE Nuovo Pignone
2003			DPGH									GE Nuovo Pignone
2004			DPGH	DPX-A								Dresser Wayne Pignone
2005			DPGH	DPX-A	DPX-F	587						Dresser Wayne Pignone
2006			DPGH	DPX-A		587	GV 34"	GV 48"				Dresser Wayne Pignone
2007			DPGH	DPX-A		587	GV 34"	GV 48"	GS IV			Dresser Wayne Pignone
2008			DPGH			587	GV 34"	GV 48"	GS IV			Dresser Wayne
2009						587	GV 34"	GV 48"	GS IV	GS MPD		Dresser Wayne
2010						587	GV 34"	GV 48"	GS IV	GS MPD	GS V	Dresser Wayne
2011						587	GV 34"		GS IV	GS MPD	GS V	Wayne a GE Energy business
2012							GV 34"			GS MPD	GS V	Wayne a GE Energy business

## 2. Models

Global Star V  
(GS V CNG)



Global Star V B2B  
(GS V B2B CNG)



### 2.1 Side A / Side B

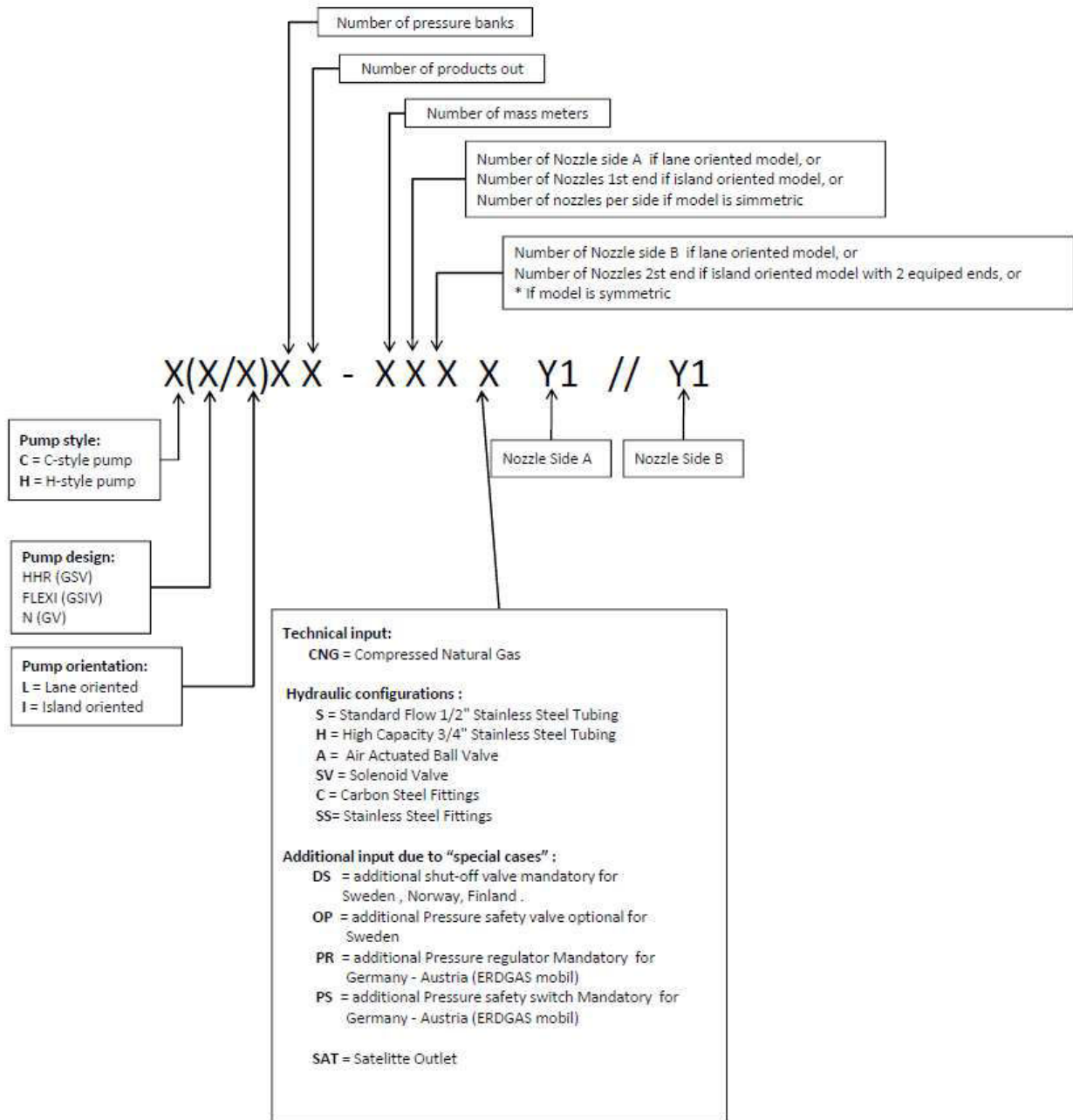
**Side A**



**Side B**

Global Star V is a C-style pump.

## 2.2 Denomination of the Dispenser

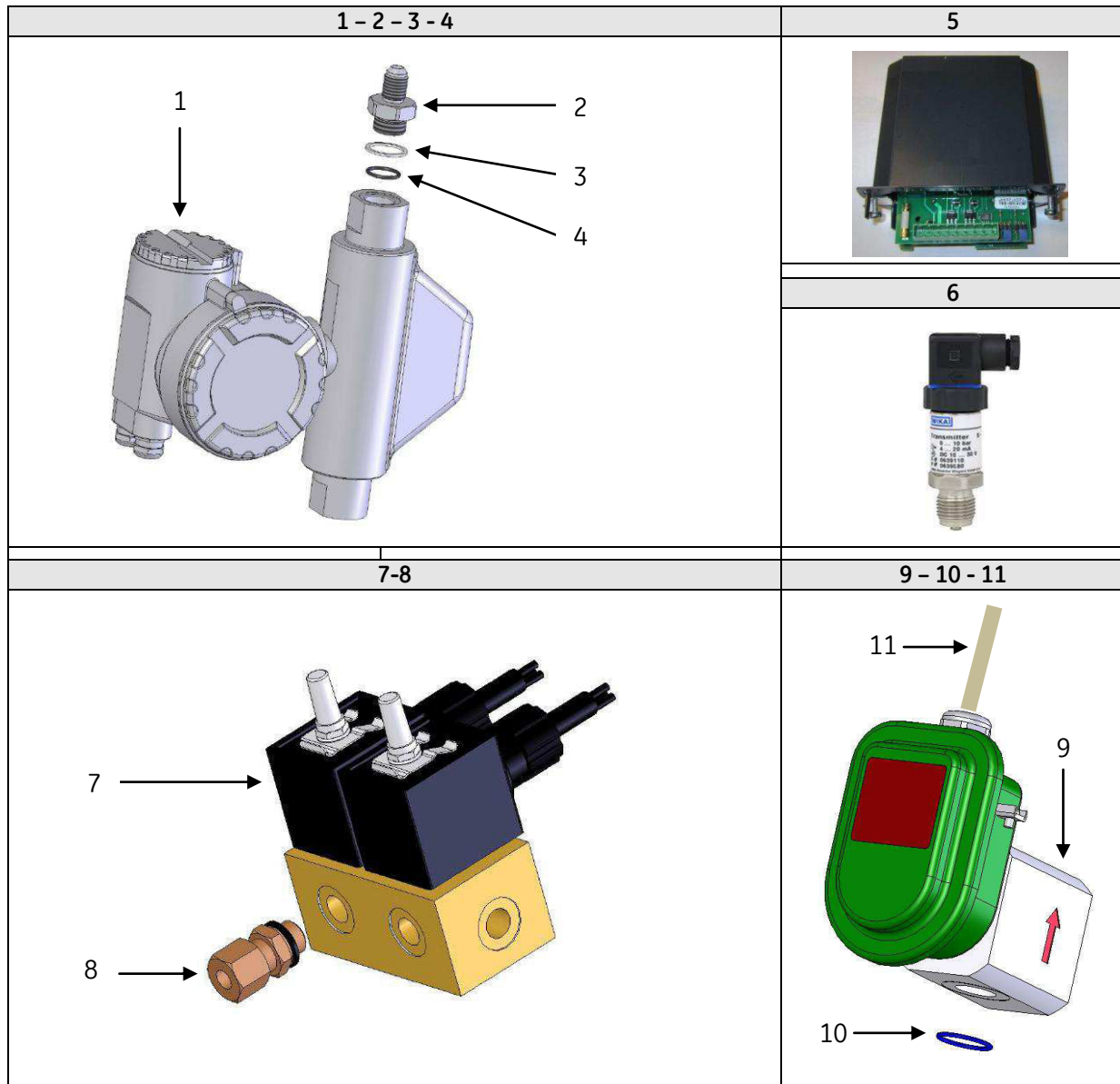






## 3. Contents

1. Product History.....	3
2. Models .....	7
3. Contents.....	9
4. Instrumentation and Solenoid valves .....	10
5. Valves, Check valve, Pneumatic valve, Excess flow valve .....	12
6. Filter.....	13
7. Nozzle .....	14
8. Nozzle boot.....	17
9. Break-away .....	19
10. Hoses .....	20
11. Hose retractor .....	21
12. Electronic head.....	22
13. Push button and nozzle switch.....	23
14. Junction box.....	24
15. Cables.....	25
16. Display support .....	26
17. Cover - electronic head.....	27
18. Exterior .....	29
19. Decals.....	32
20. Dial face .....	32
21. Market & Service .....	33
22. Notes .....	33

## 4. Instrumentation and Solenoid valves

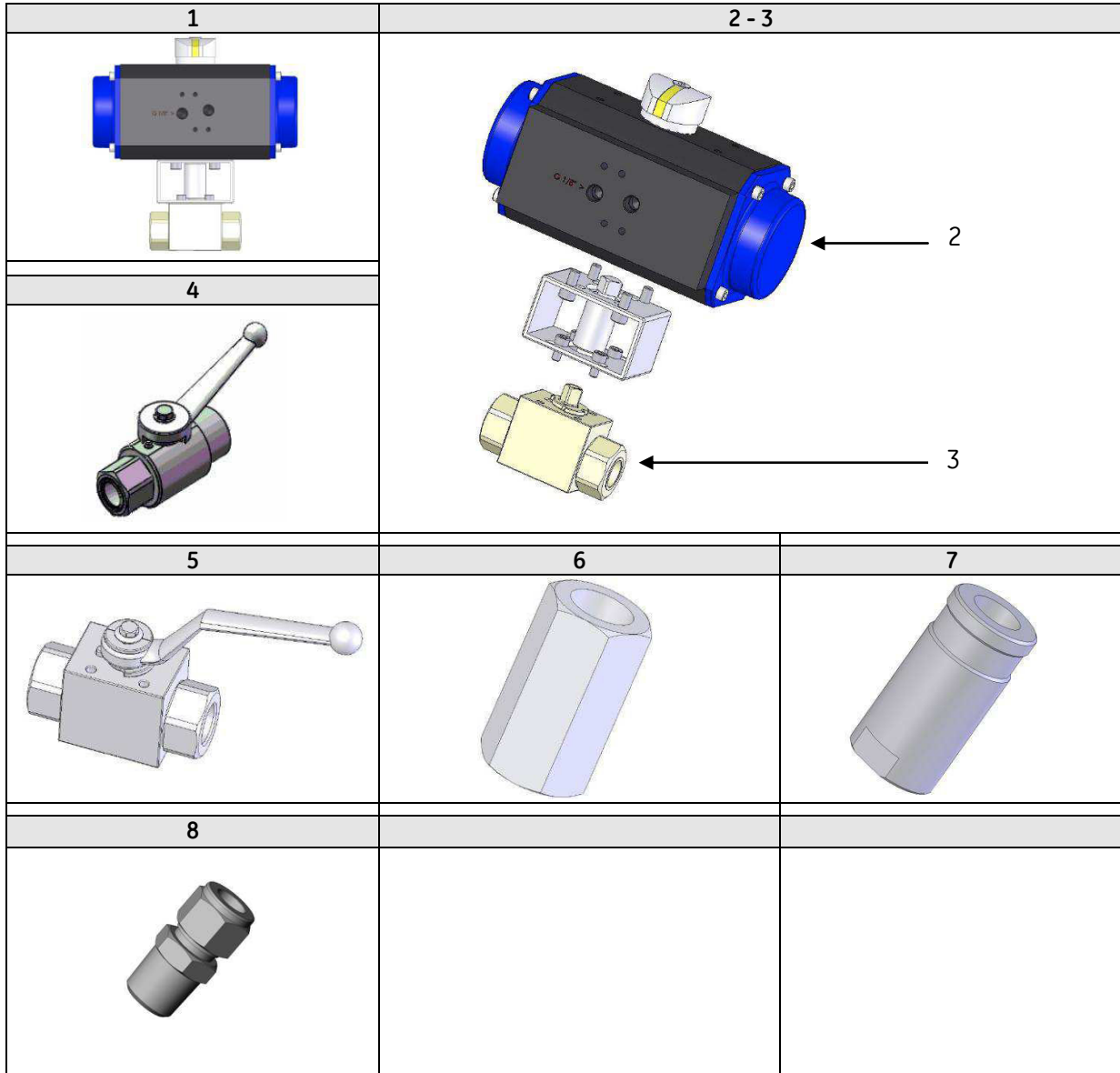


	Part number	Description
1	WT005783	CNG MASS METER ENDRESS + HAUSER (PTB-NMI-METAS-BEV)
1	WT009855	CNG MASS METER ENDRESS + HAUSER (LNE-France)
2	WT009663	COUPLING STRAIGHT G 3/4"
3	WT009655	RING RETAINER 3/4"
4	WT009656	O-RING T=2.62 ID=23.47
5	WT010019	ELECTRONIC MODULE ENDRESS + HAUSER CNG MASS METER
6	WT009691-0001	PRESSURE TRASMITTER 0-400 bar-g
7	WT007873-0002	SOLENOID VALVE 2 POSITIONS - 230V AC
7	WT007873-0003	SOLENOID VALVE 3 POSITIONS - 230V AC
8	WT009420-0001	COUPLING STRAIGHT MALE R 1/8 BSPP TUBE 6
9	WT004778	SOLENOID VALVE CNG HIGH PRESSURE G 1/2" ISO228 230VAC
10	WT000468	O-RING T=2.6 ID=17.9
10	WT008777	O-RING T=1.78 ID=21.95
11	WT009772	CABLE 3G075 FOR SOLENOID VALVE

12	13	
		

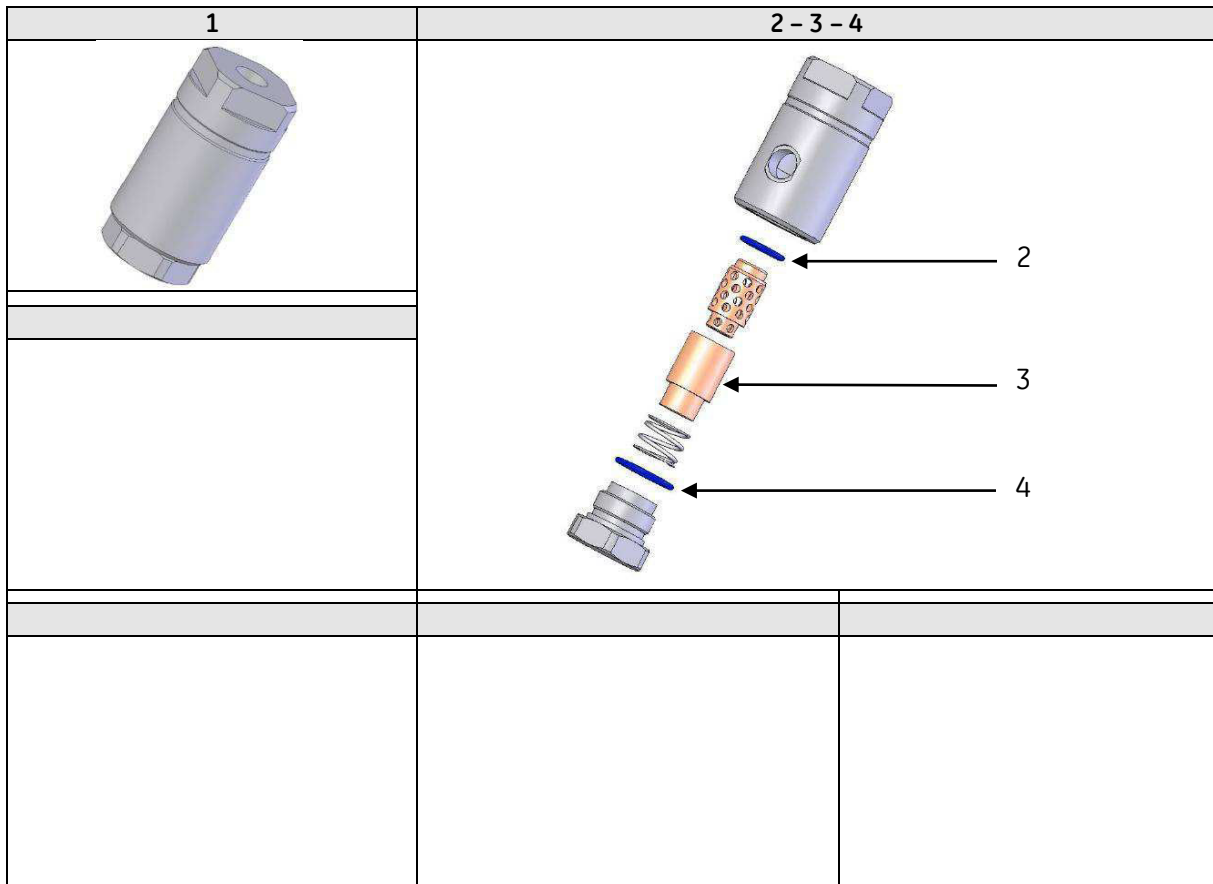
	Part number	Description
12	WT002254	PRESSURE GAUGE DN 63 0-400 bar
13	WT002322	PRESSURE GAUGE DN 40 0-10 bar

## 5. Valves, Check valve, Pneumatic valve, Excess flow valve



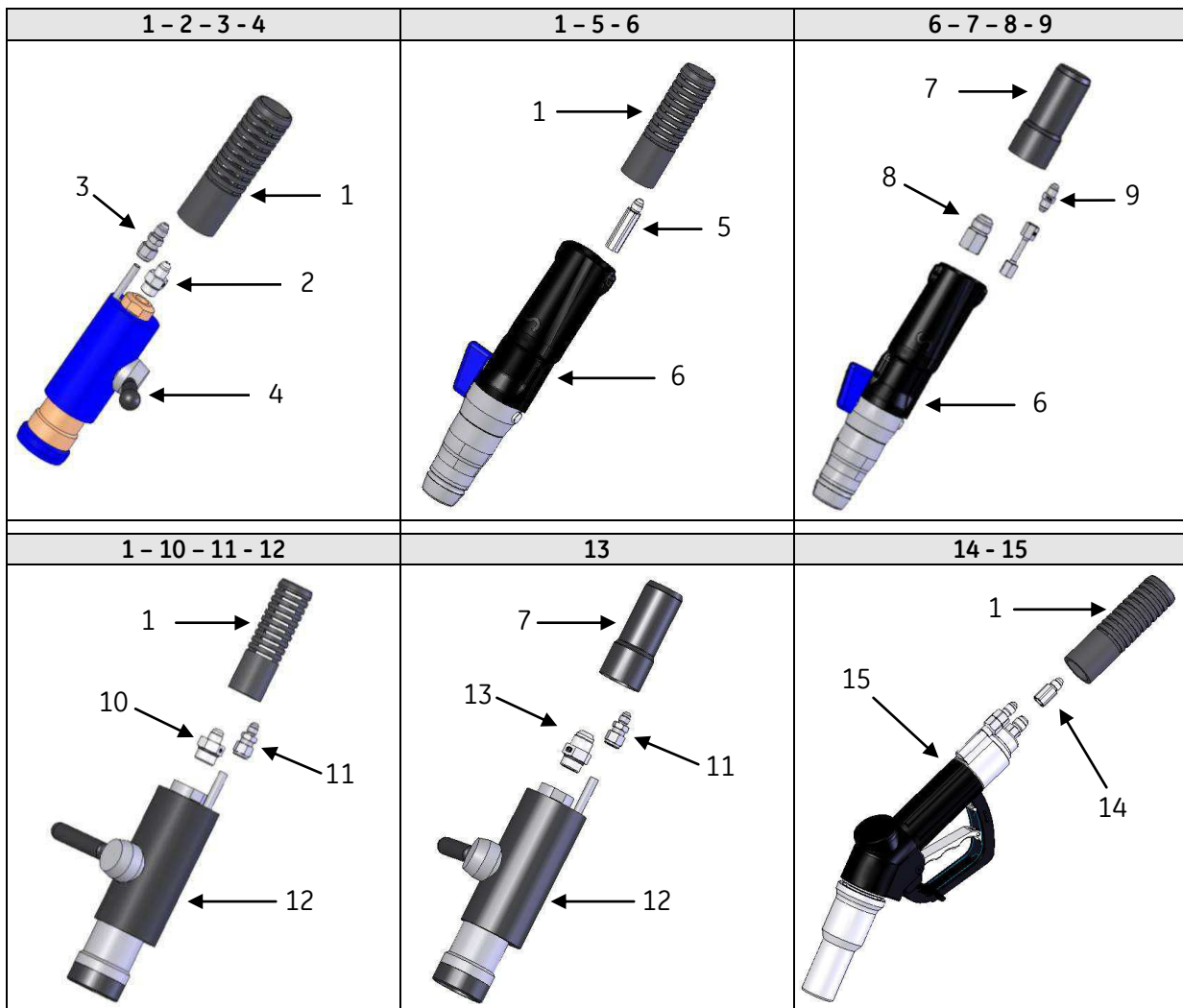
	Part number	Description
1	WT007303-0004	ASSEMBLED PNEUMATIC BALL-VALVE 1/2" NPT FEM. (SS)
2	WT007302-0004	PNEUMATIC ACTUATOR SR50
3	WT007735	BALL VALVE 1/2" NPT FEM. FOR PNEUMATIC ACTUATOR (SS)
3	WT007737	KIT SEALS FOR PNEUMATIC ACTUATOR BALL-VALVE WT007735 (1/2")
4	WT007991-0001	BALL VALVE MANUAL 1/4" NPT FEM. (SS)
5	WT007736	BALL VALVE MANUAL 1/2" NPT FEM. (SS)
5	WT010105	KIT SEALS FOR MANUAL BALL-VALVE WT007736 (1/2")
5	WT007516	BALL VALVE MANUAL 3/4" NPT FEM. (SS)
5	WT007517	KIT SEALS FOR MANUAL BALL-VALVE WT007516 (3/4")
6	WT009721	EXCESS-FLOW VALVE G3/4"
7	WT002582	CHECK VALVE 1/2" NPT FEM.
8	WT002232	COUPLING, STRAIGHT TUBE 1/2" A-LOK - MALE 1/2" NPT (PARKER)

## 6. Filter

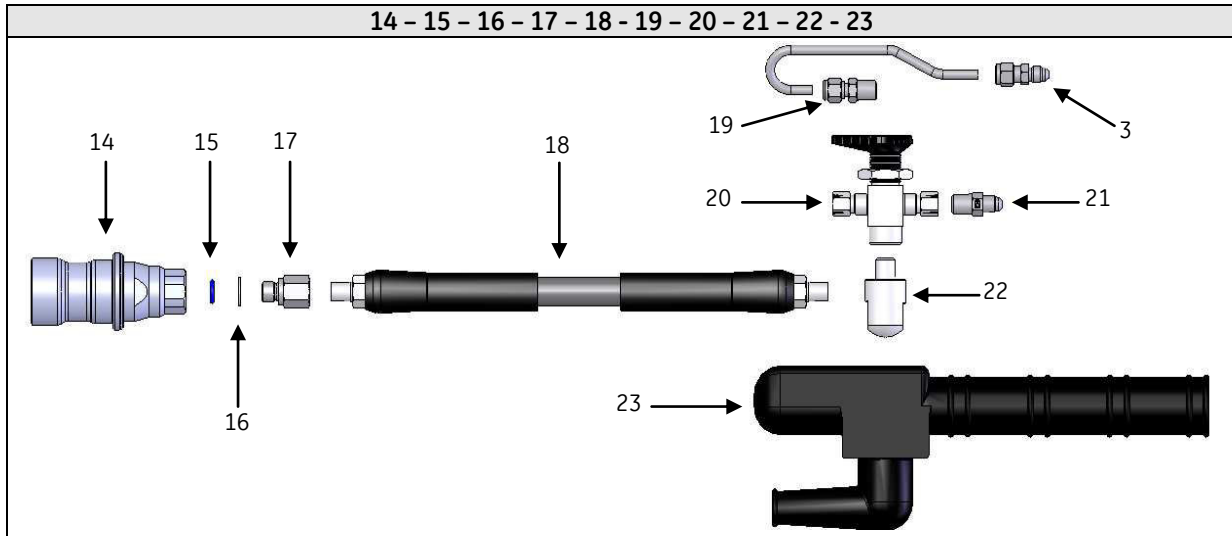


	Part number	Description
1	WT007856	ASSEMBLED FILTER
2	WT002752	O-RING T=2.62 , ID=20.2
3	WT002388	FILTER CARTRIDGE
4	WT007854	O-RING T=2.62 , ID=28.25

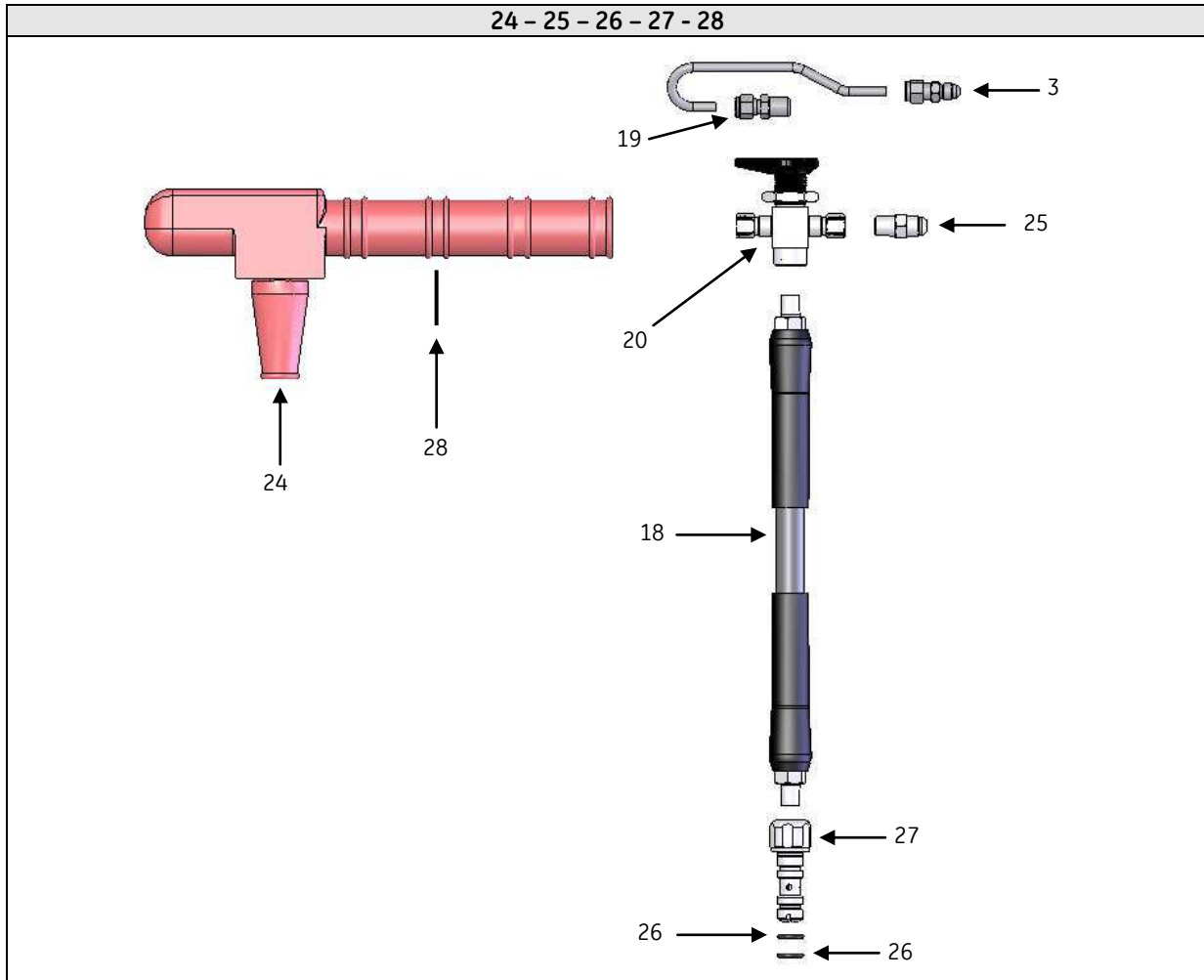
## 7. Nozzle



	Part number	Description
1	WM002094-0001	MOULDED HOUSING ANTI KINKING SLEEVE KS 21
2	WT006910-0003	COUPLING STRAIGHT JIC 37° TUBE 1/4" MALE - MALE 9/16"-18 SAE6
2	WT006910-0004	COUPLING STRAIGHT JIC 37° TUBE 3/8" MALE - MALE 9/16"-18 SAE6
3	WT009073	COUPLING ADAPTER,TUBE 1/4"A-LOK- MALE 37° 7/16"-20 (PARKER)
4	WT007885	NOZZLE CNG OPW CT1000 SS NGV1 (P30)
5	WT009770	COUPLING STRAIGHT 7/16"-20 JIC 37°, MALE-FEMALE L= 46 mm
6	WT009768	NOZZLE CNG STAUBLI NGV1 GMV09 (P30)
7	WT009761-0001	MOULDED COVER BLACK BS 21
8	WT008553	COUPLING STRAIGHT JIC 37° MALE 7/8"-14 UNF - FEMALE 9/16"-18 UNF
9	WT002772-0001	COUPLING STRAIGHT JIC 37° UNION TUBE 1/4" MALE-MALE
10	WT006910-0005	COUPLING STRAIGHT JIC 37° TUBE 3/8" MALE - MALE 7/8"-14 SAE10
11	WT009777	COUPLING ADAPTER,TUBE 3/8"A-LOK- MALE 37° 7/16"-20 (PARKER)
12	WT009778	NOZZLE CNG BUS OPW CT5000S
13	WT006910-0006	COUPLING STRAIGHT JIC 37° TUBE 5/8" MALE - MALE 7/8"-14 SAE10
14	WT009982	COUPLING, STRAIGHT 7/16"-20 JIC 37°, MALE-FEMALE L= 20.5 mm
15	WT009944-0001	NOZZLE CNG, WEH TK17 (P30)



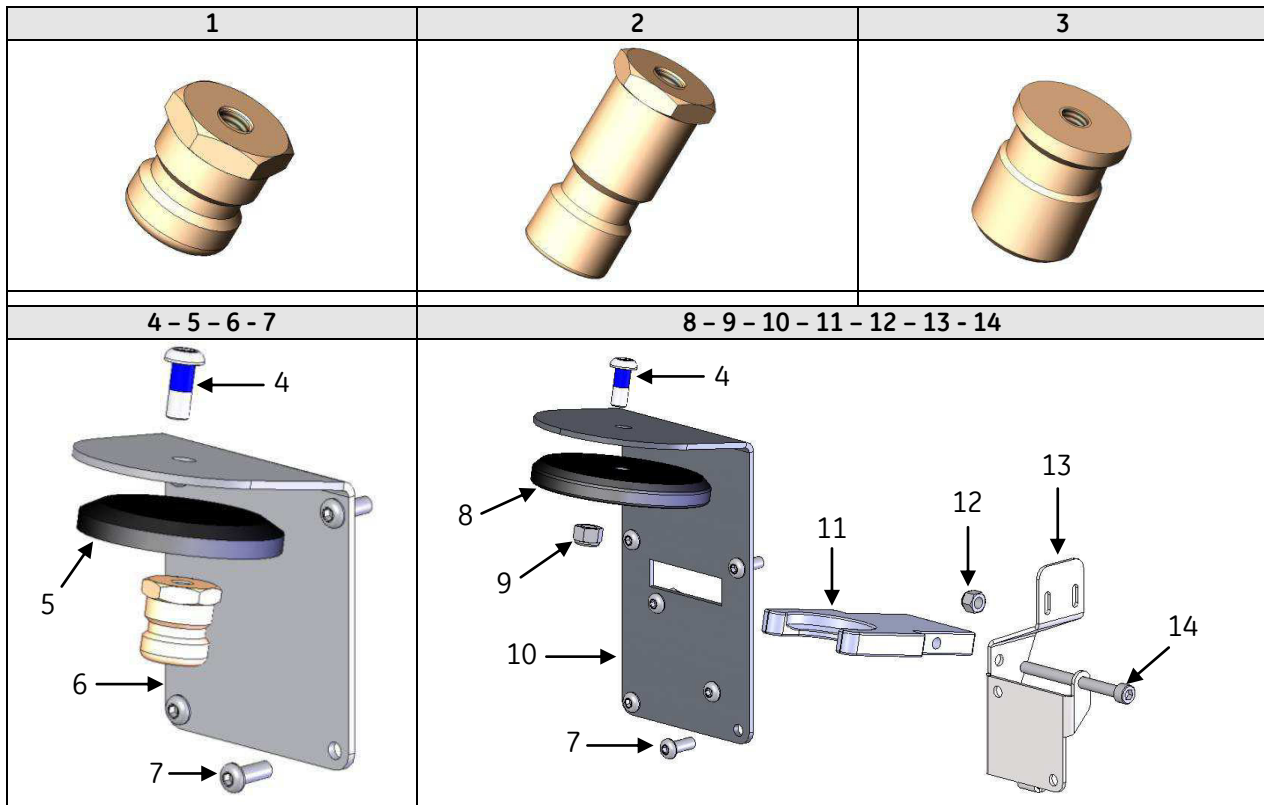
	Part number	Description
14	WT009789	NOZZLE CNG ITALY PROFILE STAUBLI CMI-06
15	WT009783	O-RING T=2.62 ID=10.77
16	WT009780-0001	RING RETAINER 1/4
17	WT009456-0001	COUPLING STRAIGHT ADAPTER 1/4" BSPP MALE - 1/4" NPT FEM.
18	WT007927	HOSE 3/8" (1/4" NPT) FLEXIBLE 35NG-06 SYNIFLEX L=350
19	WT002230	COUPLING STRAIGHT TUBE 1/4" A-LOK - MALE 1/4" NPT (PARKER)
19	WT003025	BALL VALVE MANUAL, 3 WAY, 1/4" NPT FEM.
20	WT003027	KIT SEALS FOR 3-WAY BALL-VALVE WT003025
21	WT002780-0001	COUPLING, STRAIGHT JIC 37°, TUBE 1/4" MALE - 1/4" NPT MALE
22	WT009786	COUPLING, 90 DEGREE M-F 1/4 NPT
23	WT009793	MOULDED, COVER 3-WAY BALL-VALVE (PARALLEL OUT)



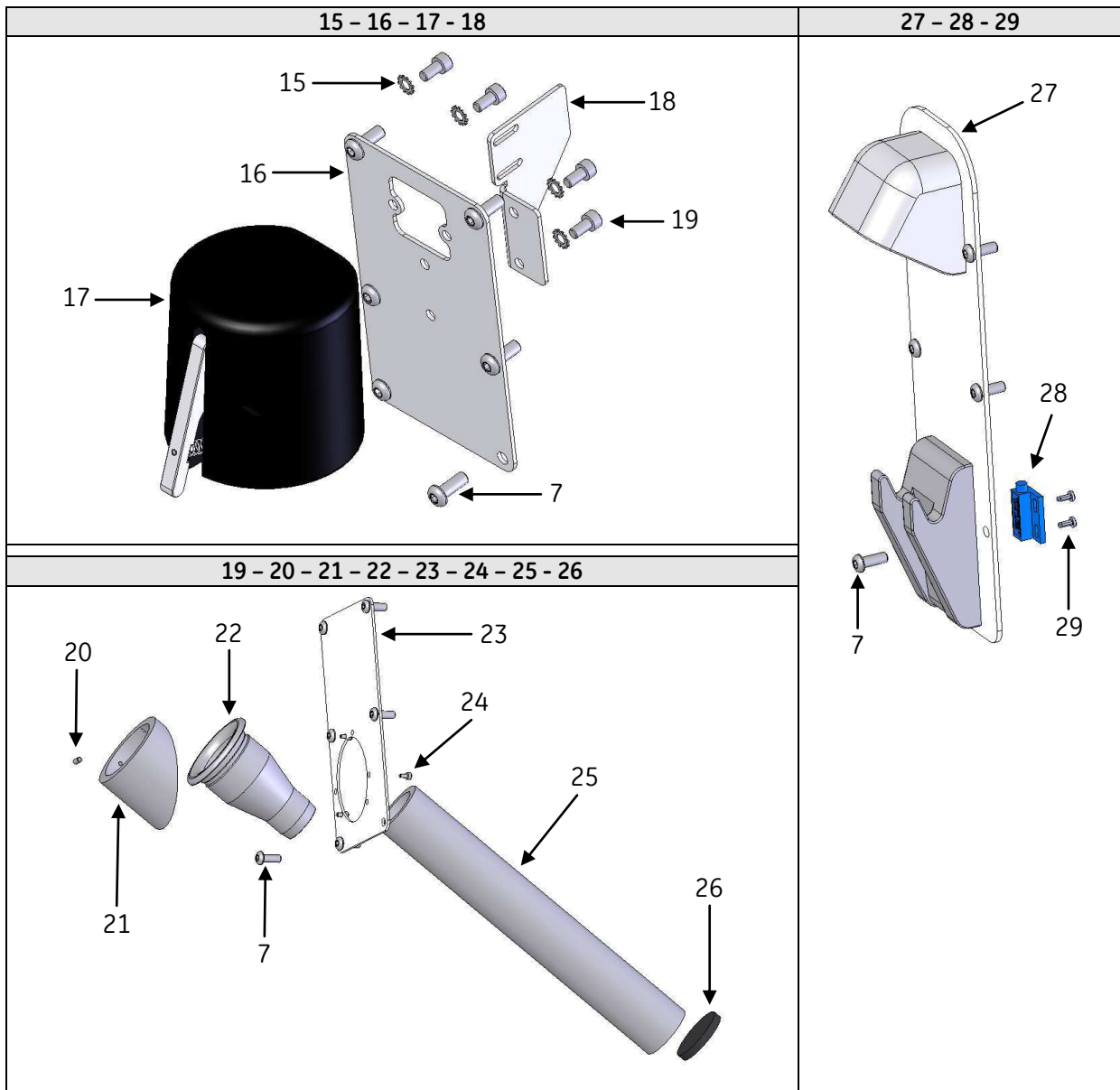
	Part number	Description
24	WT009794	MOULDED COVER 3-WAY BALL-VALVE (PERPENDIC. OUT)
25	WT002997	COUPLING STRAIGHT JIC 37°, TUBE 3/8" MALE - 1/4" NPT MALE
26	WT009797	O-RING T=2.62, ID= 13.1
27	WT009795	CNG FILL PROBE 18 mm GOST
28	WM001953	O-RING T=3 ID=28



## 8. Nozzle boot

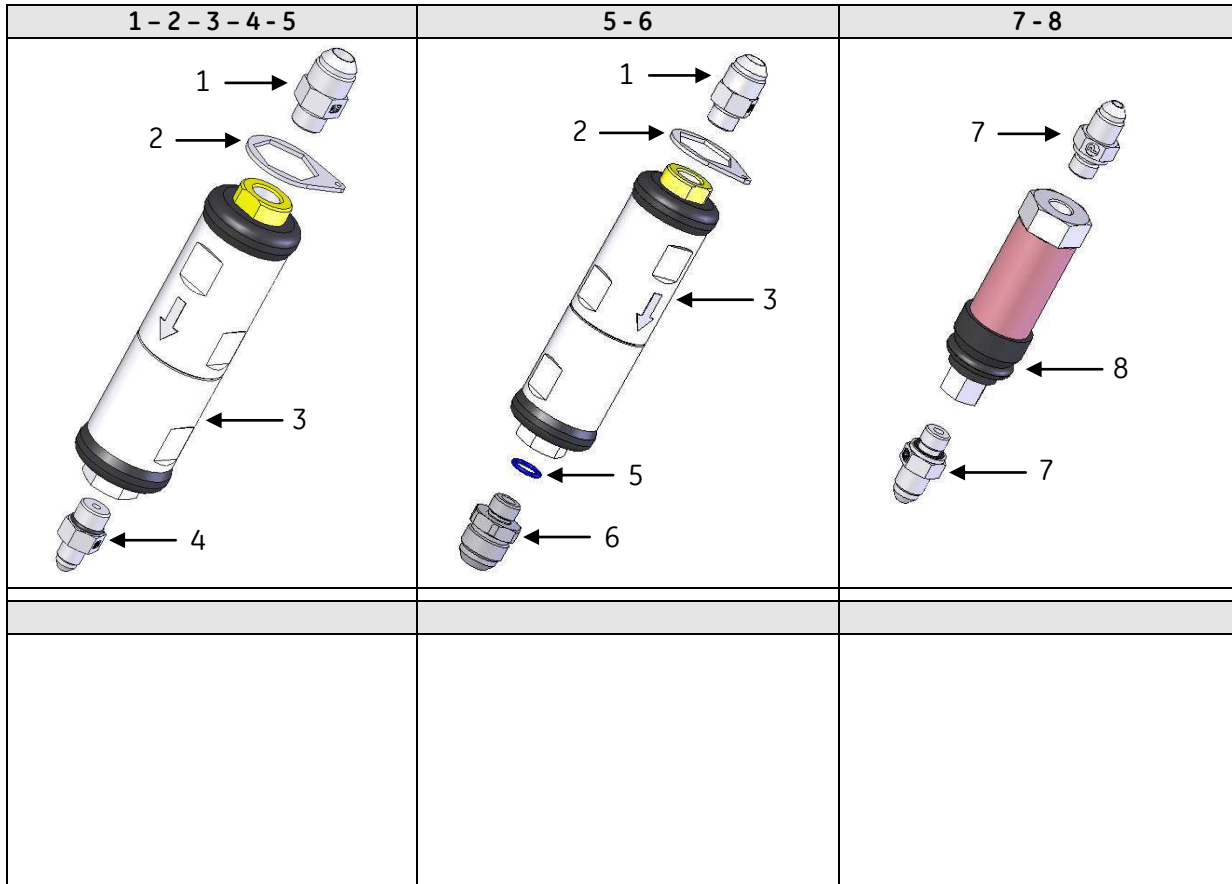


	Part number	Description
1	WT002439	COUPLING ADAPTER "ITALY PROFILE"
2	WT008447	COUPLING ADAPTER "NGV 1" FOR P30 OPW NOZZLE
3	WT002441	COUPLING ADAPTER "NGV 2"
4	WB000370	SCREW, HEXAGON SOCKET BUTTON, M8 x 20
5	WT007976-0001	CAP PROTECTION NOZZLE
6	WT008237	SUPPORT NOZZLE BOOT
7	WB000652-0001	SCREW, HEXAGON SOCKET BUTTON, M6 x 16
8	WT009190	CAP PROTECTION NOZZLE D.92mm
9	WB000229-0004	LOCK NUT, M8
10	WT009182	SUPPORT NOZZLE FOR MICROSWITCH VERSION
11	WT009184-0001	SUPPORT FORK FOR OPW CT5000 NOZZLE
11	WT009184-0002	SUPPORT FORK FOR ITALY PROFILE CMI06 NOZZLE AND NGV1 P30 OPW
12	WB000229-0003	LOCK NUT, M6
13	WT009183	SUPPORT NOZZLE FORK AND MICROSWITCH
14	WB000211-0008	SCREW, HEXAGON SOCKET CAP, M6 x 70



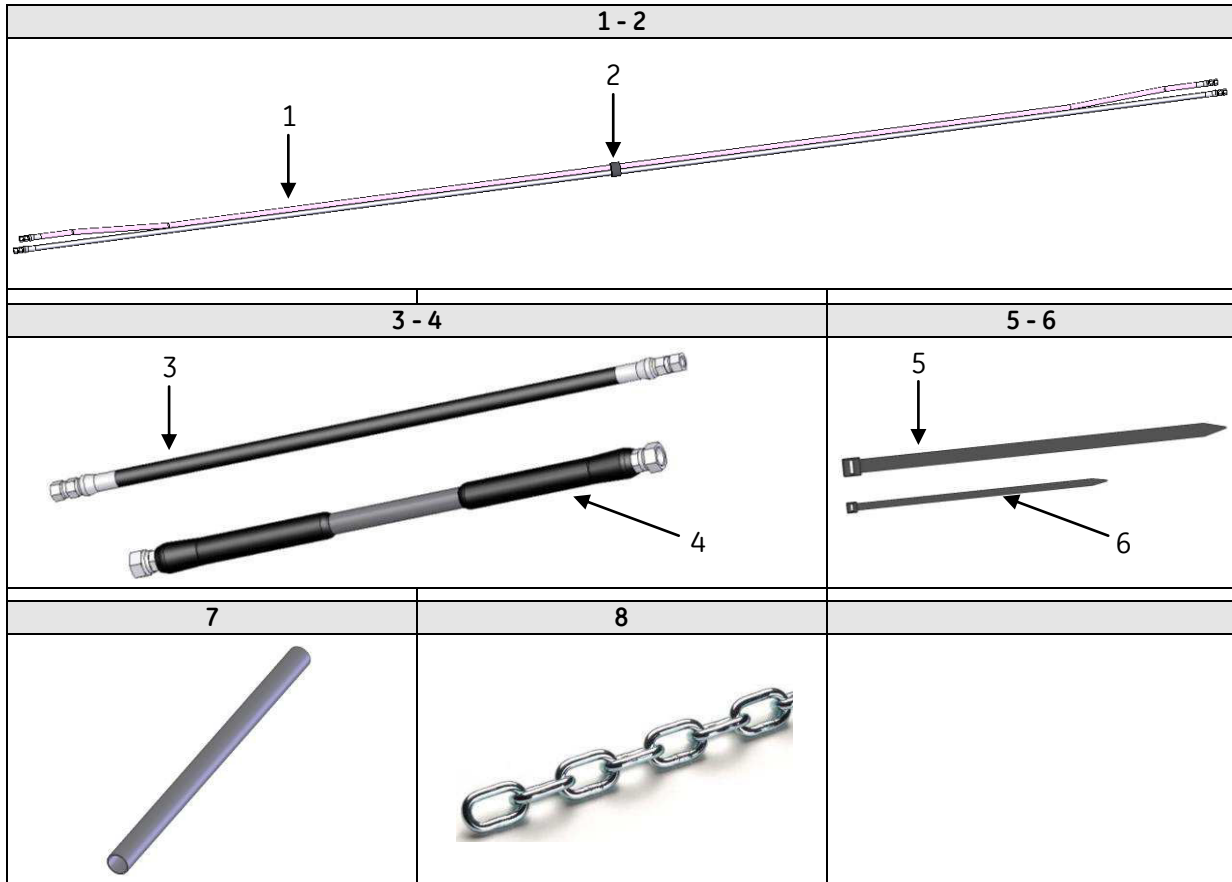
	Part number	Description
15	WB000233-0006	WASHER, LOCK, M5 ID=5.3, OD=10, T=0.6
16	WT009526	SUPPORT NOZZLE BOOT STAUBLI GMV09, GSV CNG
17	WT009811	HOUSING NGV1 STAUBLI NOZZLE-BOOT
18	WT009527	SUPPORT MICROSWITCH
19	WB000210-0001	SCREW, HEXAGON SOCKET CAP, M5 x 10
20	WT002621	SET SCREW, HEXAGON SOCKET, M4 x 6, CUP POINT
21	WT002445	FLANGE FOR PIN NOZZLE-BOOT
22	WT002444	BUSHING FOR PIN NOZZLE-BOOT
23	WT008820	SUPPORT NOZZLE BOOT FOR FILL PROBE TYPE, GSV CNG
24	WB000334-0001	SCREW, HEXAGON SOCKET CAP, M3 x 6
25	WT002446	TUBE FOR PIN NOZZLE-BOOT
26	WT009808	CAP TUBE PIN NOZZLE-BOOT
27	WT009978	NOZZLE BOOT FOR WEH TK17
28	WM001649-0006	SWITCH SECATEC 3-WIRE NORMALLY OPEN/CLOSED 5.0m CABLE
29	WB000663-0002	TAPTITE SCREW, CROSS RECESSED, PAN HEAD, M3 x 8

## 9. Break-away



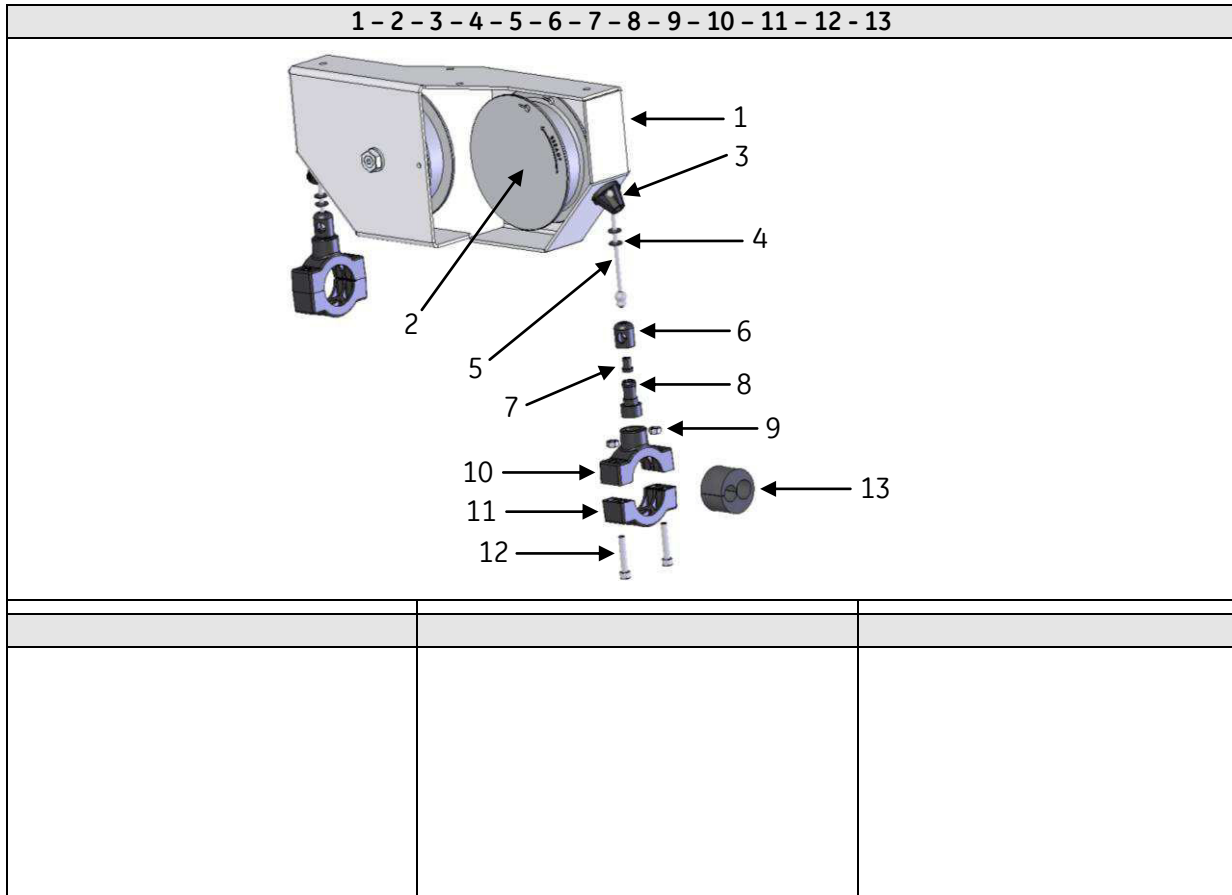
	Part number	Description
1	WT006910-0002	COUPLING STRAIGHT JIC 37°,TUBE 1/2" MALE - MALE 9/16"-18 SAE6
2	WT009767	RING HEX. HOLE, FOR BREAKAWAY
3	WT001857	BREAK-AWAY CNG FILLING LINE STAUBLI
4	WT006910-0003	COUPLING STRAIGHT JIC 37°,TUBE 1/4" MALE - MALE 9/16"-18 SAE6
5	WT003093	O-RING T=2, ID=12
6	WT009775	COUPLING, STRAIGHT JIC 37°,TUBE 5/8" MALE - MALE 9/16"-18 SAE6
7	WT009760-0001	COUPLING, STRAIGHT JIC 37°,TUBE 1/4" MALE - 1/8" BSPP MALE
8	WT001858	BREAK-AWAY VENT LINE STAUBLI

## 10. Hoses







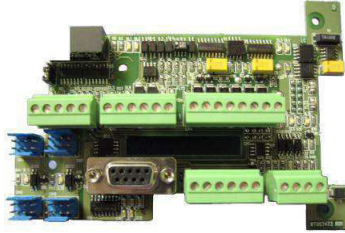





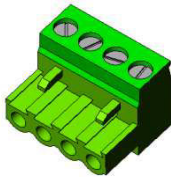

	Part number	Description
1	WT008236-0001	HOSE TWIN 1/4"-1/4" (7/16"-20 UNF) 35NG04-3R8004 SYNFLEX L=3800 mm
1	WT008183-0001	HOSE TWIN 3/8"-1/4" (9/16"-18 UNF) 35NG06-3R8004 SYNFLEX L=3800 mm
1	WT008552-0001	HOSE TWIN 1/2"-1/4" (7/8"-14 UNF) 35NG08-35NG04 SYNFLEX L=3700 mm
1	WT008552-0002	HOSE TWIN 1/2"-1/4" (7/8"-14 UNF) 35NG08-35NG04 SYNFLEX L=4800 mm
1	WT008552-0003	HOSE TWIN 1/2"-1/4" (7/8"-14 UNF) 35NG08-35NG04 SYNFLEX L=8000 mm
2	WT008163-0002	COUPLING ANTI-SLIP GRIP FOR TWIN HOSE 1/4"-1/4"
2	WT008163-0001	COUPLING ANTI-SLIP GRIP FOR TWIN HOSE 3/8"-1/4" & 1/2"-1/4"
3	WT008177-0001	HOSE VENT 1/4" (7/16"-20 UNF) FLEXIBLE 3R8004 SYNFLEX L=632 mm
4	WT008181-0001	HOSE 3/8" (3/4"-16 UNF) FLEXIBLE 35NG-06 SYNFLEX L=520 mm
4	WT008551-0001	HOSE 1/2" (3/4"-16 UNF) FLEXIBLE 35NG-08 SYNFLEX L=520 mm
5	WT009765-0002	CABLE TIE 9 W x 265 L , BLACK
6	WT009765-0001	CABLE TIE 4,6 W x 180 L , BLACK
7	WT009785-0001	HEAT SHRINK TUBING L=210 mm BLACK
8	WT008864	RING GENOVESE CHAIN n°14 L=230 mm

## 11. Hose retractor



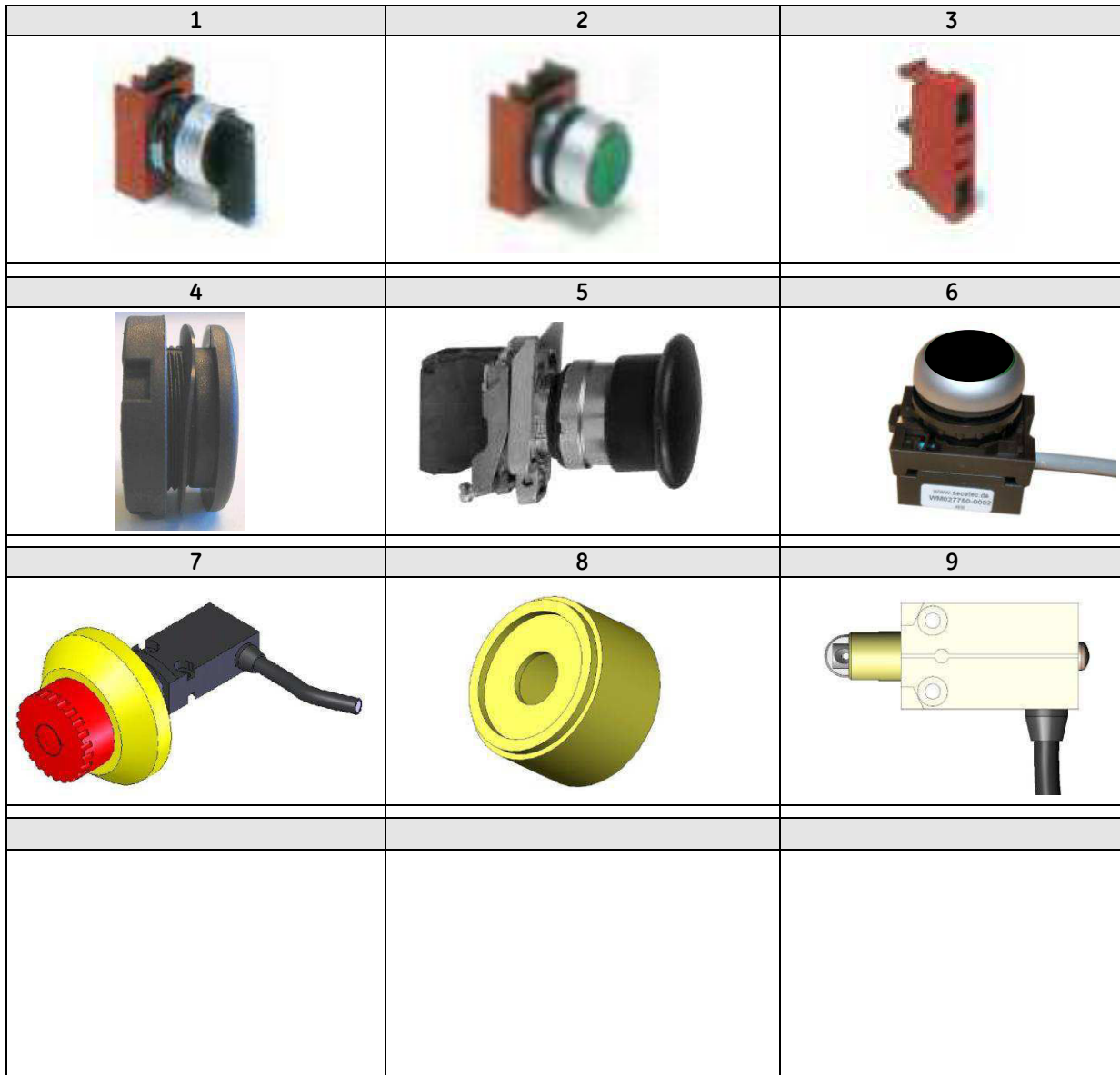
	Part number	Description
1	WT008231	SUPPORT, BOX SHAPE
2	WM001585	RETRACTOR REEL
3	WM003396	BUSHING CABLE GUIDE
3	WM002070	RETAINING RING, EXTERNAL E-TYPE, SHAFT=15.5 DIA, ID=12, T=1.3
4	WT009648	O-RING T=3.53 , ID=5.94
5	WM003772	CORD CATALINA BLACK NYLON
6	WT008234	CLAMP SNAP FEMALE, CORD BREAKAWAY
7	WT002817-0002	GROMMET PLUG SKINTOP M16
8	WT008233	CLAMP SNAP MALE, CORD BREAKAWAY
9	WB000228-0003	NUT M6
10	WT009646	MOULDED HALF CLAMP, UPPER
11	WT009645	MOULDED HALF CLAMP, LOWER
12	WB000211-0006	SCREW, HEXAGON SOCKET CAP, M6 x 35
13	WT008163-0002	COUPLING ANTI-SLIP GRIP FOR TWIN HOSE 1/4"-1/4"
13	WT008163-0001	COUPLING ANTI-SLIP GRIP FOR TWIN HOSE 3/8"-1/4" & 1/2"-1/4"

## 12. Electronic head

1	2	3
		
4	5	6
		
7	8	9
		
10	11	12
		

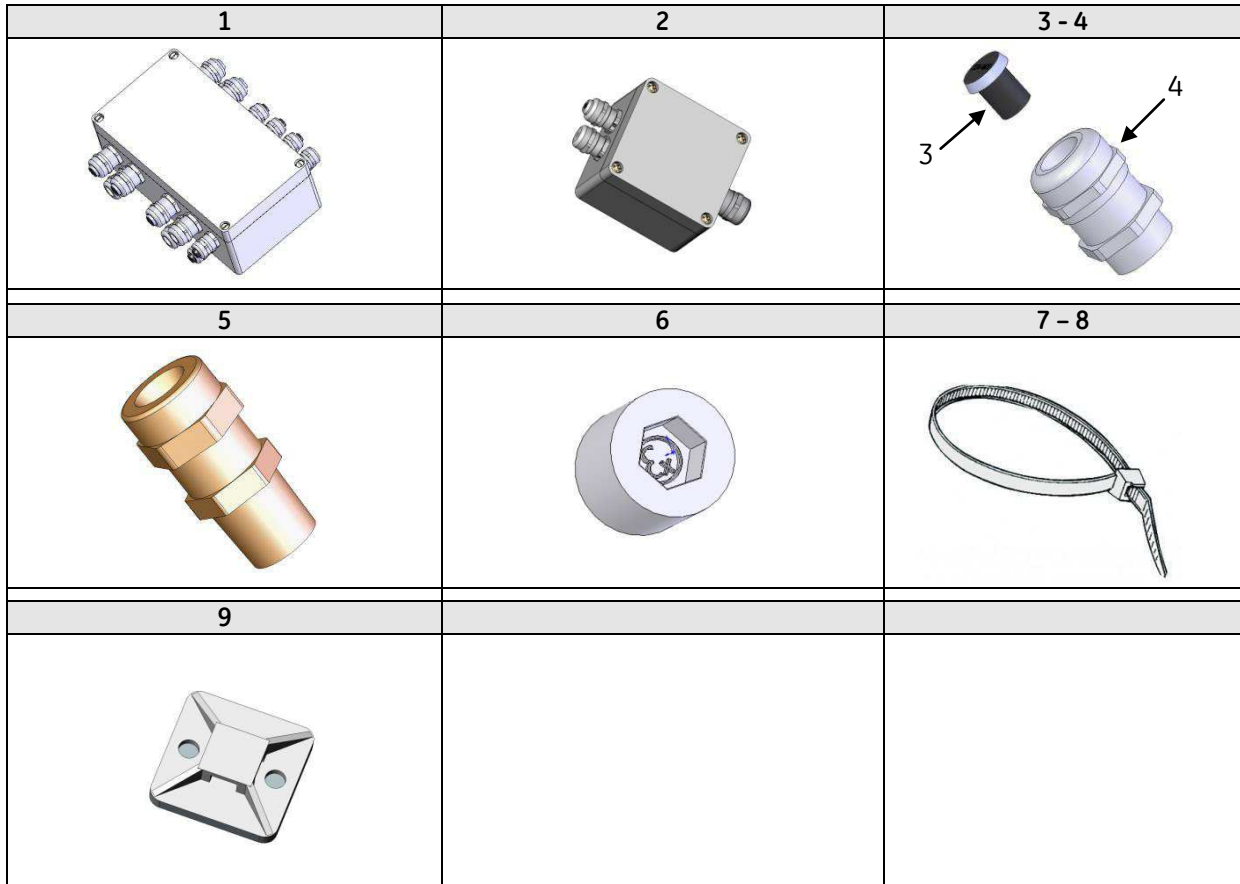
	Part number	Description
1	WT009754-0001	DISPLAY MASTER WITH TOTALIZER - OTP-ELT
1	WT009754-0002	DISPLAY MASTER WITHOUT TOTALIZER - OTP-ELT
2	WT002461-0001	CPU OTP-ELT
3	WT002492	SWITCHING POWER SUPPLY
4	WT002329	INTRINSICALLY SAFE BARRIER
5	WT002473	COMMUNICATION BOARD DOUBLE Rs485 OTP-ELT
6	WM001829	COMMUNICATION BOARD IFSF LON
6	WT009798	CABLE IFSF LON
7	WM037511-0001	COMMUNICATION BOARD LJUNGMAN
7	WT010067	CABLE LJUNGMAN
8	WT003115	5X20mm 1.6A TIME LAG, BREAKING CAPACITY 1500 A
9	WT010005-0001	CPU FUSE 1A
10	WT003963	HEATING ELEMENT Exd 100W
11	WM001767	CONNECTOR CABLE TERMINAL BLOCK 4 SOCKET (1X4)
12	TSO33103	DOWNLOAD CABLE TOOL + CD SPY SOFTWARE

### 13. Push button and nozzle switch



	Part number	Description
1	WT003974-0003	SELECTOR
2	WT003974-0001	PUSH-BUTTON RED
2	WT003974-0002	PUSH-BUTTON GREEN
3	WT003977	CONTACT BLOCK (1 N/O)
4	WB000682	PLUG
5	WT009813-0001	PUSH-BUTTON MUSHROOM BLACK ( 1N/O)
6	WM027750-0003	PUSH BUTTON BLACK Exe
7	WM028616	ESD BUTTON
8	WT002893	SUPPORT ESD BUTTON
9	WT009812	NOZZLE BOOT SWITCH (WITH ROLLER)

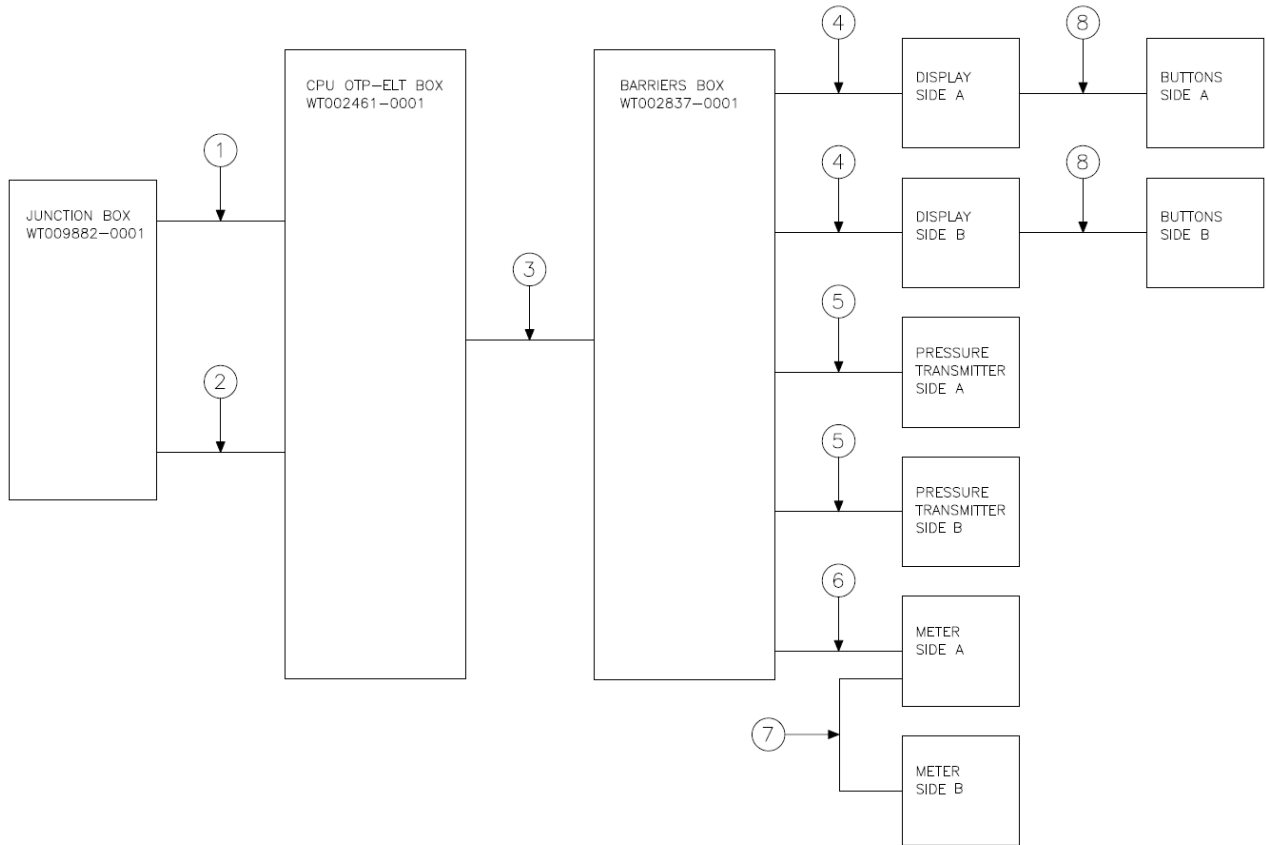
## 14. Junction box



	Part number	Description
1	WT009882-0001	JUNCTION BOX
2	WT009818	JUNCTION BOX
3	WT002814-0001	GROMMET SKINTOP MS-M M20
3	WT002814-0002	GROMMET SKINTOP MS-M M16
3	WT002814-0007	GROMMET SKINTOP MS-M M12
4	WT002817-0001	GROMMET PLUG SKINTOP M20
4	WT002817-0002	GROMMET PLUG SKINTOP M16
4	WT002817-0003	GROMMET PLUG SKINTOP M12
5	WT002279-0001	GROMMET RCN size 16 1/2" NPT EExd (4-7 and 7-10 mm)
6	WT002385	PLUG 1/2" NPT EExd
7	WB000337-0001	CABLE TIE 2.5W x 100L
8	WB000337-0002	CABLE TIE 3.6W x 203L
9	WB000595	CABLE TIE MOUNTING BASE

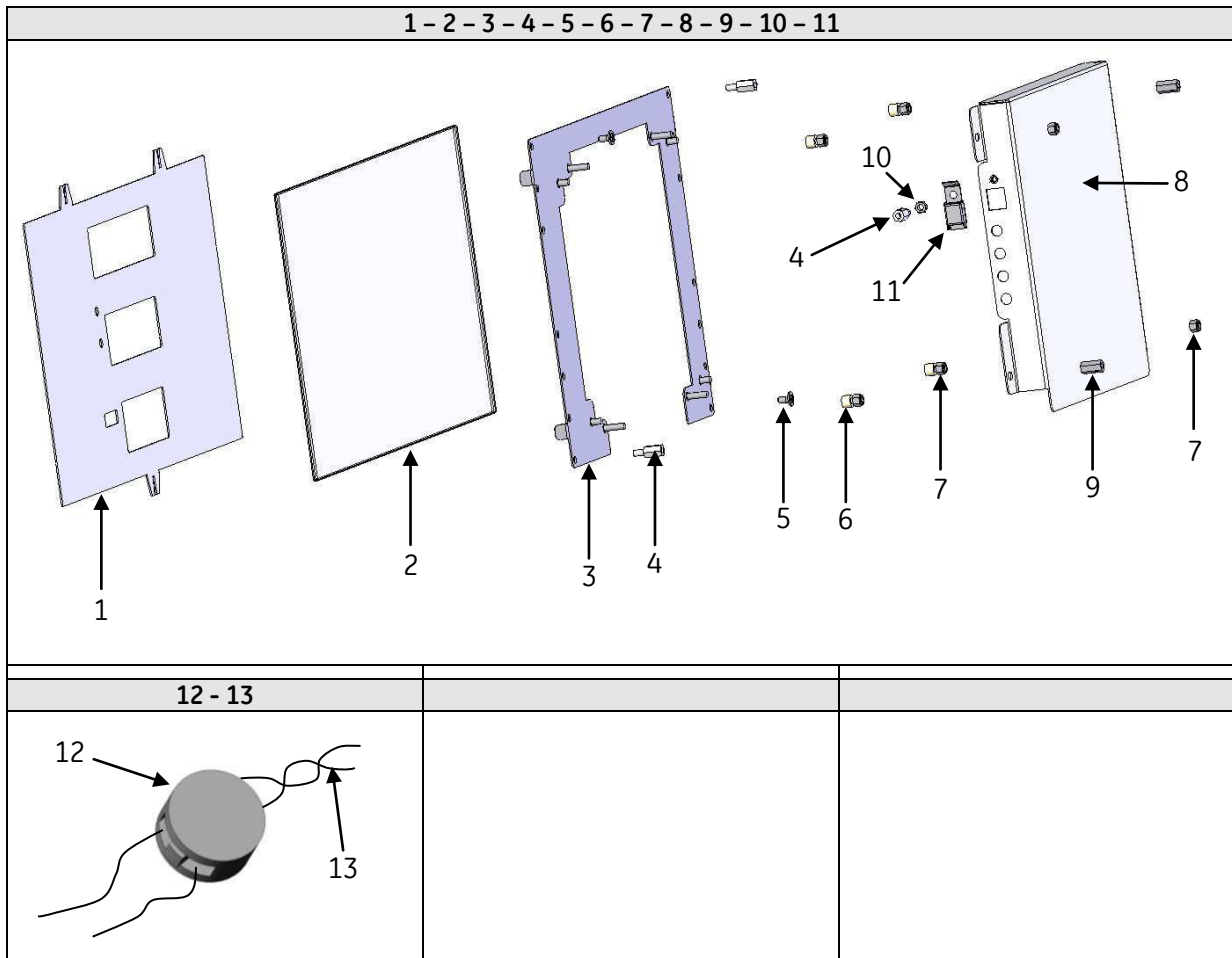


## 15. Cables



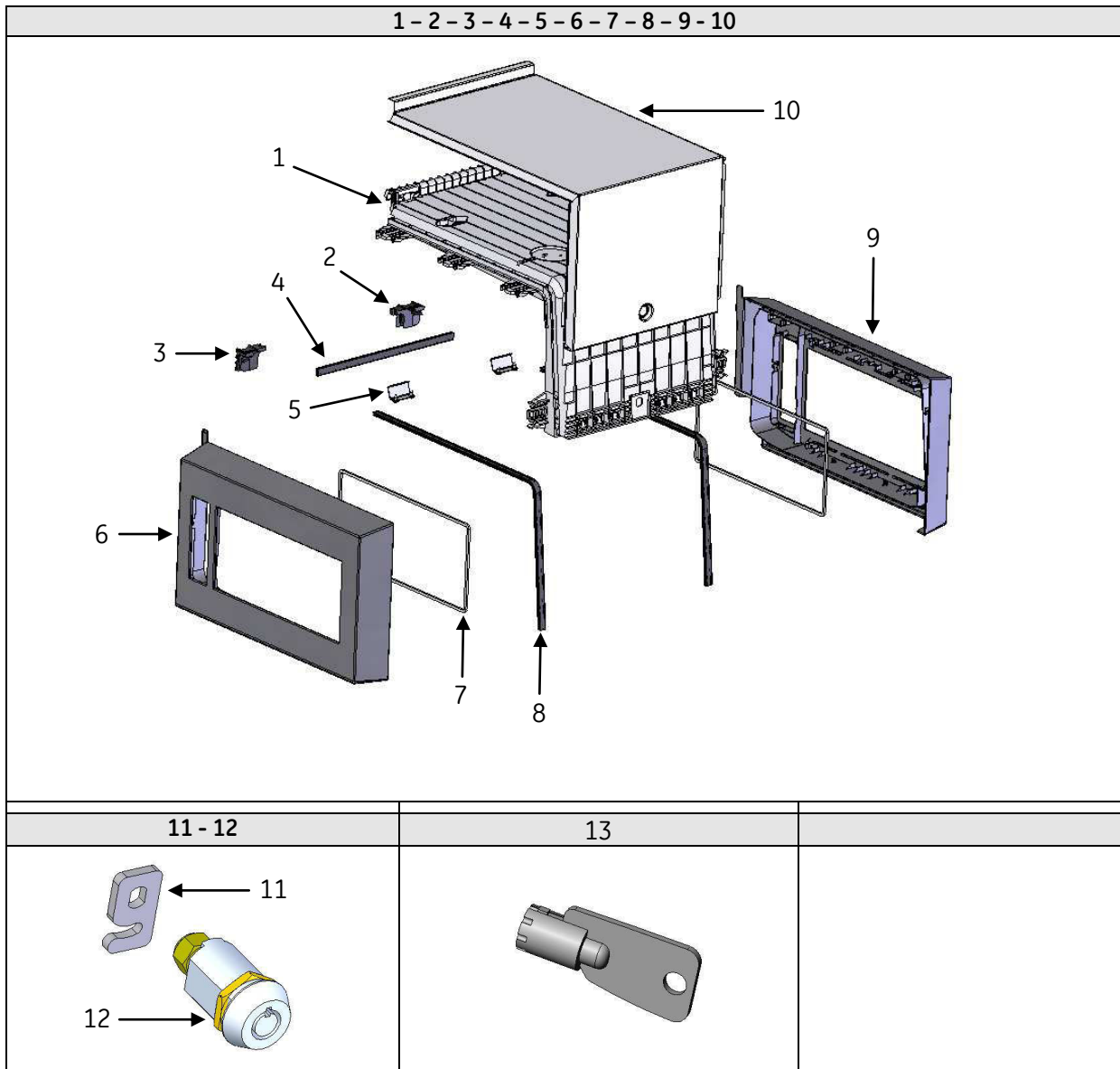
	Part number	Description
1	WT009955-0002	CABLE 18G0.75 L=1800 WITH GROMMET EExd 1/2"
2	WT009956-0002	CABLE 18x0.34 L=1800 WITH GROMMET EExd 1/2"
3	WT002250-0001	CABLE 12x0.34 L= 750 WITH GROMMET EExd 1/2"
4	WT002207-0001	CABLE 6x0.34 L=1200
5	WT010008-0001	CABLE 3G0.5 L=1800
6	WT010011-0001	CABLE 4x0.34 L=2500
7	WT010012-0001	CABLE 4x0.34 L= 600
8	WT009752-0001	CABLE 6x0.34 L=3200

## 16. Display support

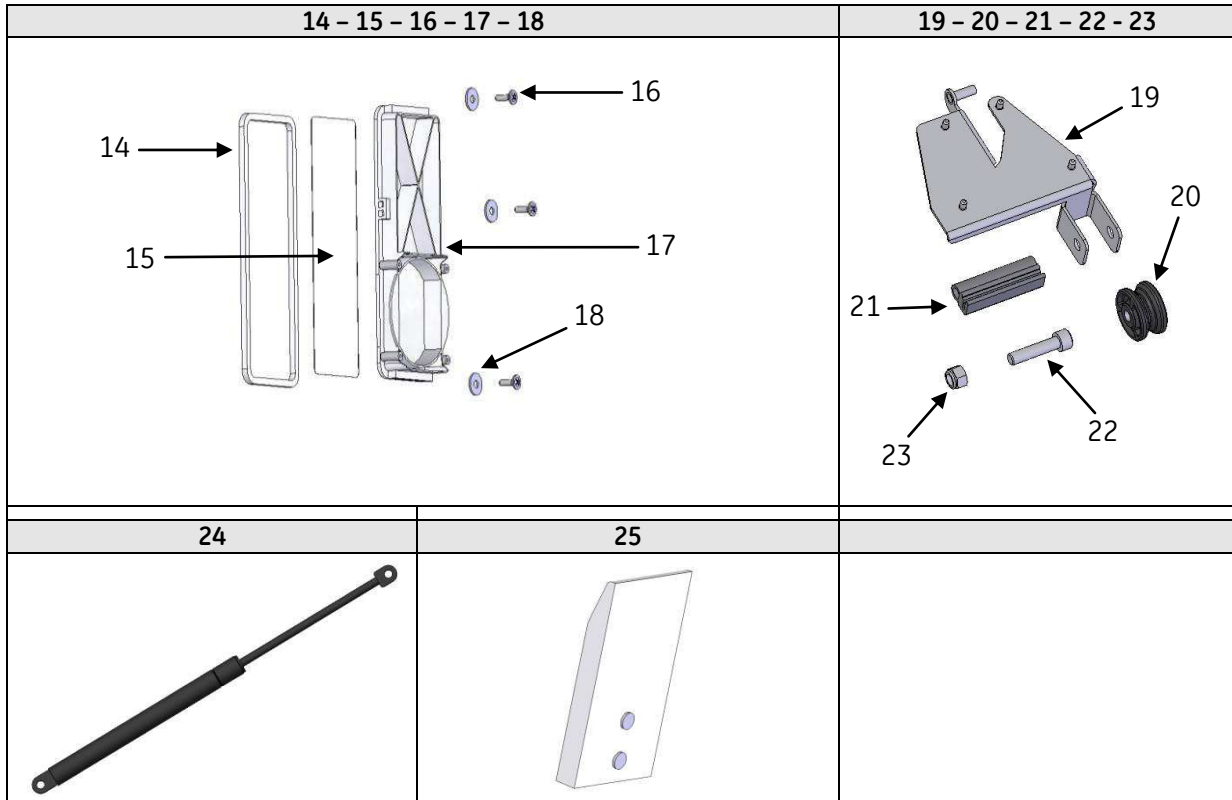


	Part number	Description
1	WT007972-0001	DIAL FACE GS V CNG, WITH TOTALIZER
1	WT007972-0002	DIAL FACE GS V CNG, WITHOUT TOTALIZER
1	WT007972-0003	DIAL FACE GS V CNG, BLIND
2	WM038365	GLASS 383x193x3
3	WT007968	SUPPORT DISPLAY CNG GS V
4	WT009725	SEAL SCREW SPACER M4x12
5	WM014931-0001	SELF TAPPING SCREW, POZ, PAN HEAD 4 x 8, FOR PLASTIC
6	WB000291-0003	SPACER ID=4.3, OD=8, L=6
7	WB000229-0002	LOCK NUT, M4
8	WT007965	COVER DISPLAY CNG GS V
9	WM010841-0001	SEAL NUT, M4 L=14
10	WB000228-0002	NUT, M4
11	WT002321	SUPPORT, BOX SHAPE FOR SEALING
12	WM003776	LEAD, SEAL
13	WM003343-0002	PLASTIC SEALING WIRE STEEL

## 17. Cover - electronic head

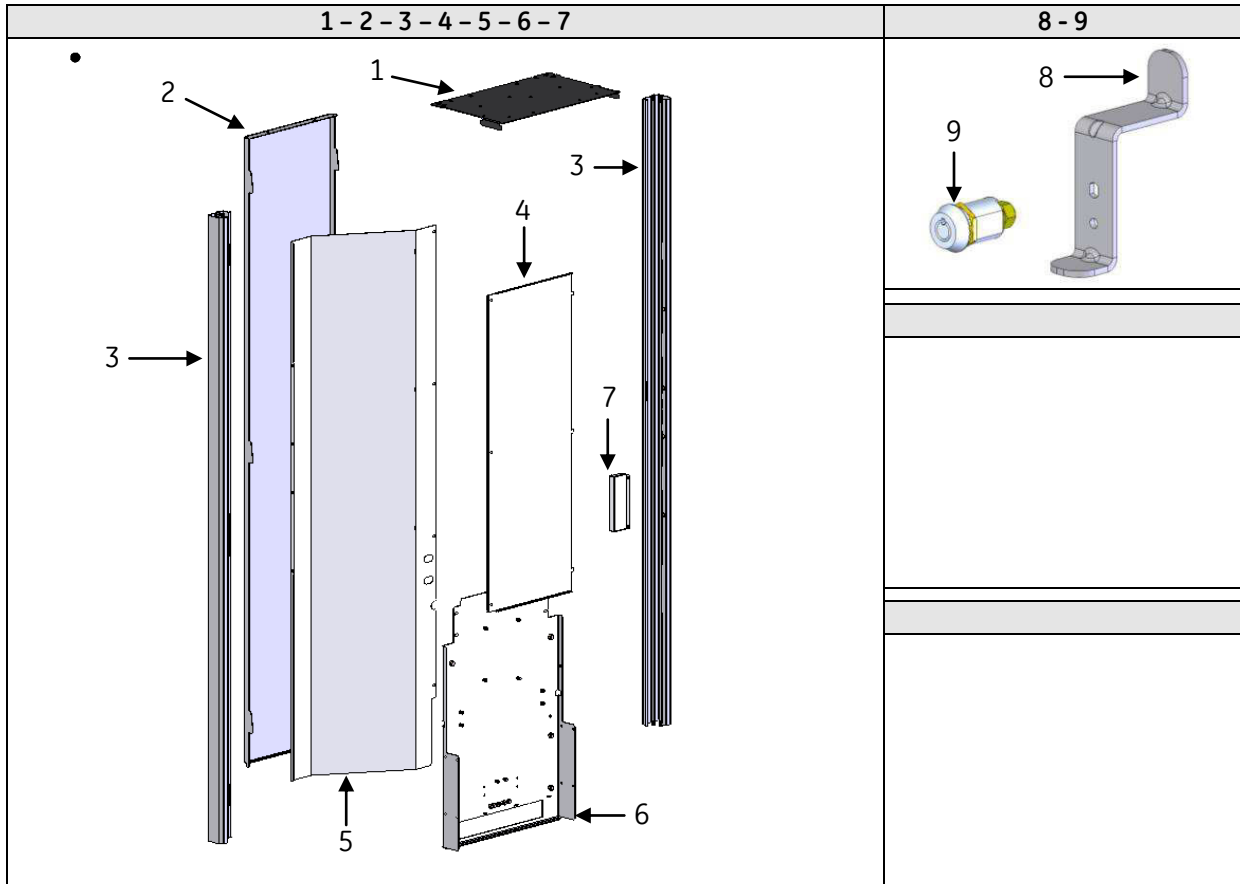


	Part number	Description
1	WM028160-0001	SUPPORT, L-SHAPE MID SECTION ELECTRONIC HEAD
2	WM028165	GASKET T-SHAPED FOR ELECTRONIC HEAD B-SIDE
3	WM028163	GASKET T-SHAPED FOR ELECTRONIC HEAD A-SIDE
4	WM028330	GASKET D-SHAPE, L=342mm, H=15.1mm
5	WM029267	LOCK FOR HINGE
6	WM031301-0001	FRONT PANEL, SIDE A 90 DEG, WAYNE ANTHRACITE GREY, GLOSS 70
7	WM029415	GASKET FRONT PANEL, 90 DEG, 378x180x4
8	WM028329	GASKET D-SHAPE, L=760mm, H=15.1mm
9	WM031302-0001	FRONT PANEL, SIDE B 90 DEG, WAYNE ANTHRACITE GREY, GLOSS 70
10	WM030105-0001	COVER PLATE, TOP PANEL ELECTRONIC HEAD, 90 DEG
11	WM030100	LATCH FLAT, RANGE=11mm
12	WM001994-0002	LOCK
13	WM003119	KEY (code 3306)

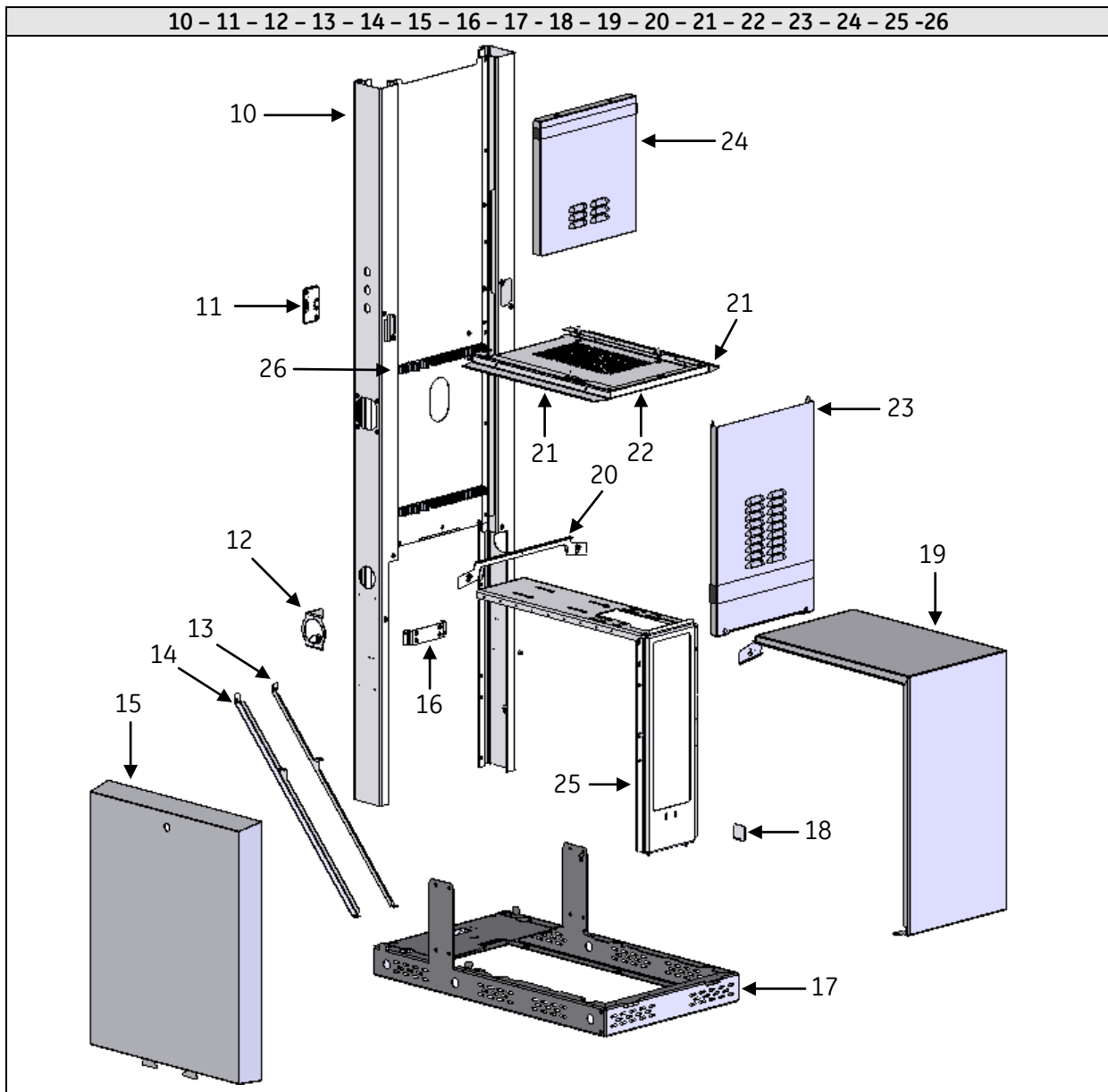


	Part number	Description
14	WM029424	GASKET SPEAKER ADAPTER, 181x67x4
15	WM038382	BLIND LABEL
16	WM014931-0003	SELF TAPPING SCREW, POZ, PAN HEAD 4 x 12, FOR PLASTIC
17	WM032102-0002	SUPPORT, FLAT
18	WB000658-0001	WASHER, PLAIN, M5 , LARGE ID=5.3, OD=15, T=1.2
19	WM028235	SUPPORT, FLAT FOR SPRING
20	WM001402	WHEEL
21	WB000674	EDGE PROTECTOR
22	WB000212-0008	SCREW, HEXAGON SOCKET CAP, M8 x 35
23	WB000229-0004	LOCK NUT, M8
24	WM029727	SPRING, COMPRESSION L=120, 250N
25	WM031581	SUPPORT WHEEL 72x40x8

## 18. Exterior

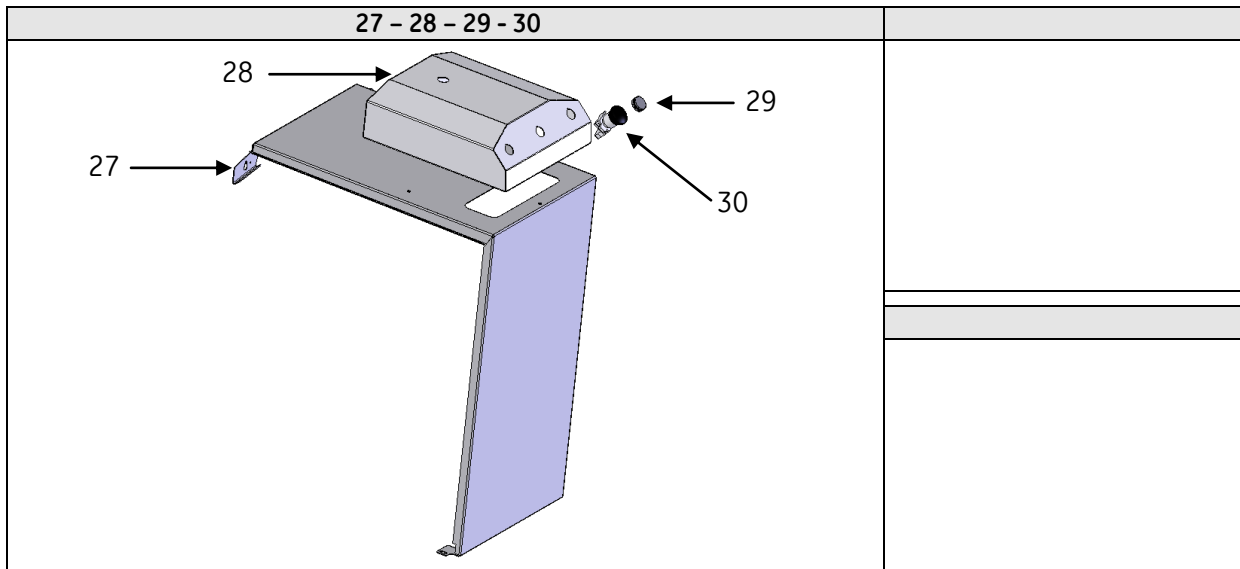


	Part number	Description
1	WT008187	TOP PANEL HOSE HANDLING, UMBRA GREY, RAL 7022
2	WM036289	SIDE PANEL L=1976.5, W=369
3	WM026534	CORNER COLUMN L=1973, W=80
4	WT008221	COVER PLATE COLUMN, GS V CNG
5	WT008228	BLIND PANEL MIDDLE COLUMN, GS V CNG
6	WT008209	SUPPORT, BOX SHAPE
7	WT008230	SIDE PANEL COLUMN, GS V CNG
8	WM030097	LATCH Z-SHAPE, RANGE=48 mm
9	WM001994-0002	LOCK



	Part number	Description
10	WT008189	GSV CNG, COLUMNS DOUBLE
10	WT009866	GSV CNG, COLUMNS SINGLE SIDE (A)
10	WT009865	GSV CNG, COLUMNS SINGLE SIDE (B)
11	WM030531	SUPPORT, FLAT BLIND
12	WT008219	SUPPORT, L-SHAPE CNG PRESSURE GAUGE, SIDE A-B, GS V CNG
13	WT008225	SUPPORT, L-SHAPE B-SIDE, GS V CNG
14	WT008223	SUPPORT, L-SHAPE A-SIDE, GS V CNG
15	WM031488-0001	FRONT PANEL, SIDE A, 2 MODULES 90 DEG, PURE WHITE, RAL 9010, GLOSS 70
15	WM031489-0001	FRONT PANEL, SIDE B, 2 MODULES 90 DEG, PURE WHITE, RAL 9010, GLOSS 70
16	WT008212	SUPPORT TUBE CLAMPS, GS V CNG
17	WT007923	BASE GS V CNG
18	WM031705	SUPPORT, L-SHAPE B-SIDE
19	WM030717	TOP PANEL 90 DEG, 2 MODULE
20	WM031694	SUPPORT, U-SHAPE FOR TOP PANEL
21	WM028227	SUPPORT, Z-SHAPE FOR CABLE COVER
22	WM030143	SUPPORT, BOX SHAPE CABLE COVER WITH GASKET

	Part number	Description
23	WM025529	SIDE PANEL, 579x365, WITH GASKETS
23	WT009816	SIDE PANEL FOR EMERGENCY BUTTON VERSION
24	WM025614	SIDE PANEL, UPPER BARRIER, WITH GASKETS
25	WT008199	SUPPORT CNG COMPONENTS, UPPER, GS V
26	WM001061	CLAMP



	Part number	Description
27	WT009820	TOP PANEL 90°, 2 MODUL (DEAD-MAN BUTTON VERSION)
28	WT005757	SUPPORT, BOX SHAPE FOR PUSH BUTTONS
29	WB000682	PLUG ROUND, BLACK, 22 DIA
30	WT009813-0001	PUSH-BUTTON MUSHROOM BLACK WITH CONTACT BLOCK ( 1 N/O )

## 19. Decals

	Part number	Description
1	WM015004	STICKER VERIFICATION
2	WM046353	STICKER WARNING HAZARDUS AREA 60x60
3	WM046356	IDENTIFICATION LABEL KIT FOR CNG DISPENSER
4	WM046357	STICKER FOR DISPLAY BUTTON (S1 P0 P1 P2 P3)
5	WM046358	STICKER RAL 6029, START BUTTON CHOICE
6	WM046359	STICKER RAL 3020, STOP BUTTON CHOICE (UNDER)
7	WM046360	STICKER BLUE, BOUTON D'ACTIVATION, BUTTON CHOICE (UNDER)
8	WM046361	STICKER RAL 5005, START STOP, BUTTON CHOICE
9	WM046362	STICKER RAL 6029, START STOP, BUTTON CHOICE, IT (UNDER)
10	WM046363	STICKER RAL 2003, REQUEST ASSISTANCE, BUTTON CHOICE, IT
11	WM046525-0001	INSTRUCTION LABEL SAFETY WARNING CNG (ENG)

## 20. Dial face

	Part number	Description
1	WM046348-0001	DIAL FACE 1 UPD, WITHOUT TOTALIZER, NO
2	WM046348-0002	DIAL FACE 1 UPD, WITH TOTALIZER, NO
3	WM046349-0001	DIAL FACE 1 UPD, WITHOUT TOTALIZER, SE
4	WM046349-0002	DIAL FACE 1 UPD, WITH TOTALIZER, SE
5	WM046350-0001	DIAL FACE 1 UPD, WITHOUT TOTALIZER, FR
6	WM046350-0002	DIAL FACE 1 UPD, WITH TOTALIZER, FR
7	WM046351-0001	DIAL FACE 1 UPD, WITHOUT TOTALIZER, IT
8	WM046351-0002	DIAL FACE 1 UPD, WITH TOTALIZER, IT
9	WM046581-0001	DIAL FACE 1 UPD, KG WITHOUT TOTALIZER, RU
10	WM046581-0002	DIAL FACE 1 UPD, KG WITH TOTALIZER, RU
11	WM046581-0003	DIAL FACE 1 UPD, M3 WITHOUT TOTALIZER, RU
12	WM046581-0004	DIAL FACE 1 UPD, M3 WITH TOTALIZER, RU
13	WM046582-0001	DIAL FACE 1 UPD, KG WITHOUT TOTALIZER, ES
14	WM046582-0002	DIAL FACE 1 UPD, KG WITH TOTALIZER, ES
15	WM046582-0003	DIAL FACE 1 UPD, NM3 WITHOUT TOTALIZER, ES
16	WM046582-0004	DIAL FACE 1 UPD, NM3 WITH TOTALIZER, ES



## 21. Market & Service

<u>Sweden European Parts Centre</u>			
Contact Info:	Shipping Address:	Mailing Address:	Visitors Address:
Tel: +46 40 360500  E-mail: <a href="mailto:mmx.EPC@ge.com">mmx.EPC@ge.com</a>	Wayne EPC Brännögatan 1 211 24 Malmö Sweden	Wayne EPC P.O. Box 50559 202 15 Malmö Sweden	Wayne EPC Hanögatan 10 211 24 Malmö Sweden

<u>Germany</u> <b>Wayne Germany</b> <b>Dresser Europe GmbH</b> Grimsehlstr. 44 37574 Einbeck  Tel. +49 (0) 5561 / 794 -0 Fax +49 (0) 5561 / 794 -187 E-mail: info.de@dresser.com	<u>Italy</u> <b>Wayne, A GE Energy Business</b> <b>Dresser Italia s.r.l</b> Via Roma, 772 23018 TALAMONA (SO), Italy  Tel +39 0342 608111 Fax +39 0342 608268	<u>UK</u> <b>Dresser Wayne, DI UK Ltd</b> Butlerfield Industrial Estate, Bonnyrigg, Midlothian, Scotland. EH19 3JQ  Tel. +44 (0)1875 402140 Fax +44 (0)1875 400010 E-mail: UK.Sales@Dresser.com
--	--	---

## 22. Notes

---

---

---

---

---

---

---

---

---

---

---

---

---

---

---

**Headquarters**

3814 Jarrett Way  
Austin, TX 78728  
Phone: +1 512.388.8311  
Fax: +1 512.388.8302

**Wayne Sweden**

Hanögatan 10  
Box 50559  
SE-202 15 Malmö, Sweden  
Phone: +46 40 360500

**Wayne Brazil**

Estrada do Timbo  
126-Bonsucesso  
Rio de Janeiro, Brazil  
Phone: +55-21-2598-7711  
Fax: +55-21-2598-7860

**Wayne China**

1221 Dong Lu Road  
Pudong, Shanghai 200135  
China  
Phone: +21-5899-3976  
Fax: +21-5899-0974